

Технические характеристики

По вопросам продаж и поддержки обращайтесь:

Алматы (7273)495-231	Казань (843)206-01-48	Новокузнецк (3843)20-46-81	Смоленск (4812)29-41-54
Архангельск (8182)63-90-72	Калининград (4012)72-03-81	Новосибирск (383)227-86-73	Сочи (862)225-72-31
Астрахань (8512)99-46-04	Калуга (4842)92-23-67	Омск (3812)21-46-40	Ставрополь (8652)20-65-13
Барнаул (3852)73-04-60	Кемерово (3842)65-04-62	Орел (4862)44-53-42	Сургут (3462)77-98-35
Белгород (4722)40-23-64	Киров (8332)68-02-04	Оренбург (3532)37-68-04	Тверь (4822)63-31-35
Брянск (4832)59-03-52	Краснодар (861)203-40-90	Пенза (8412)22-31-16	Томск (3822)98-41-53
Владивосток (423)249-28-31	Красноярск (391)204-63-61	Пермь (342)205-81-47	Тула (4872)74-02-29
Волгоград (844)278-03-48	Курск (4712)77-13-04	Ростов-на-Дону (863)308-18-15	Тюмень (3452)66-21-18
Вологда (8172)26-41-59	Липецк (4742)52-20-81	Рязань (4912)46-61-64	Ульяновск (8422)24-23-59
Воронеж (473)204-51-73	Магнитогорск (3519)55-03-13	Самара (846)206-03-16	Уфа (347)229-48-12
Екатеринбург (343)384-55-89	Москва (495)268-04-70	Санкт-Петербург (812)309-46-40	Хабаровск (4212)92-98-04
Иваново (4932)77-34-06	Мурманск (8152)59-64-93	Саратов (845)249-38-78	Челябинск (351)202-03-61
Ижевск (3412)26-03-58	Набережные Челны (8552)20-53-41	Севастополь (8692)22-31-93	Череповец (8202)49-02-64
Иркутск (395)279-98-46	Нижний Новгород (831)429-08-12	Симферополь (3652)67-13-56	Ярославль (4852)69-52-93
Россия (495)268-04-70	Киргизия (996)312-96-26-47	Казахстан (7172)727-132	

NEW!

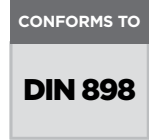
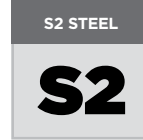
Hexagonal keys are most widely used in automotive workshops, garages & in several industrial applications

GROZ offers a wide range of hex key sets for use by mechanic's and technicians worldwide. These are available in two material types:

S2 STEEL:

Superior S2 steel construction. Hardened and tempered with corrosion resistant bright nickel plating

Hardness: 50-52 HRC



ALN/HX-BL/7L/GRZ 36101

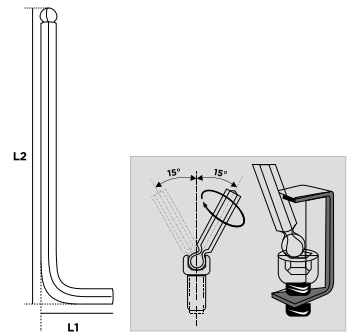
7 Hex Keys With Ball End - Long - Metric

Chamfered hex end for convenience in usage

Ball end permits easy access in tight, hard to reach spaces - upto 30° angle in recess from the screw head



HEX (MM)	L1 (MM)	L2 (MM)
2.5	20	86
3.0	22	91
4.0	27	103
5.0	32	118
6.0	37	139
8.0	43	155
10.0	49	177



ALN/HX-BL/7L/SAE/GRZ 36104

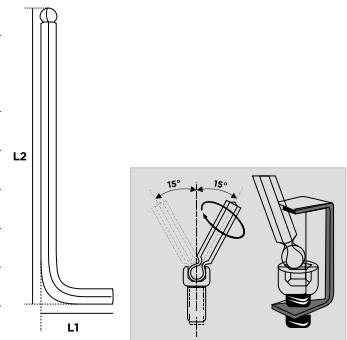
7 Hex Keys with Ball End - Long - SAE

Chamfered hex end for convenience in usage

Ball end permits easy access in tight, hard to reach spaces - upto 30° angle in recess from the screw head



HEX (INCH)	L1 (INCH)	L2 (INCH)
3/32	5/8	2-1/64
1/8	45/64	2-13/64
5/32	53/64	2-33/64
3/16	15/16	2-3/4
1/4	1-1/16	3-3/16
5/16	1-17/64	3-47/64
3/8	1-11/32	4-1/4



ALN/HX-BL/9EL/GRZ 36103

9 Hex Keys with Ball End - Extra Long - Metric

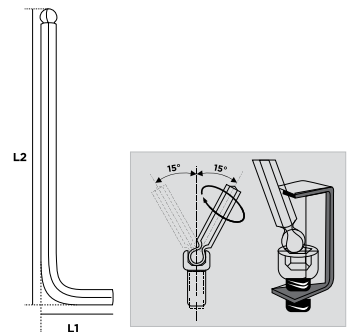
Chamfered hex end for convenience in usage

Ball end permits easy access in tight, hard to reach spaces - upto 30° angle in recess from the screw head

Extra long arm for easy access in confined spaces



HEX (MM)	L1 (MM)	L2 (MM)
1.5	15	91
2.0	17	101
2.5	20	113
3.0	22	127
4.0	27	142
5.0	32	163
6.0	37	184
8.0	43	205
10.0	49	233



**ALN/TX-TX/9L/GRZ
36102**

9 Torx Star Keys - Long

Compatible with standard TORX fixing systems

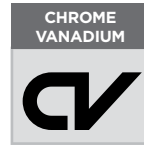
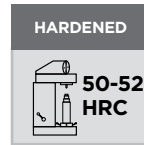


TORX	L1	L2
	(MM)	(MM)
T10	18	86
T15	20	90
T20	20.5	94
T25	20.5	100
T27	21	105
T30	24	114
T40	26.5	123.5
T45	29.5	132.5
T50	32.5	151



CHROME VANADIUM:

Hardened & tempered with corrosion resistant black oxide finish
Hardness: 50-52 HRC

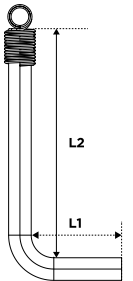


**ALN/HX-HX/8/GRZ
36110**

8 Hexagonal Keys - Metric



HEX (MM)	L1 (MM)	L2 (MM)
1.5	14	45
2	15	48
2.5	16	51
3	18	56
4	21	64
5	24	70
5.5	26	75
6	27	81

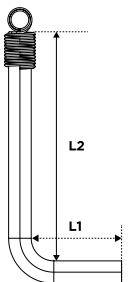


**ALN/HX-HX/10/GRZ
36111**

10 Hexagonal Keys - Metric



HEX (MM)	L1 (MM)	L2 (MM)
1.5 mm	14	45
2 mm	15	48
2.5 mm	16	51
3 mm	18	56
4 mm	21	64
5 mm	24	70
5.5 mm	26	75
6 mm	27	81
8 mm	32	95
10 mm	34	108

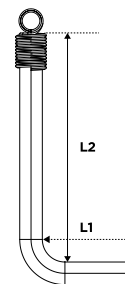


**ALN/HX-HX/10/SAE/GRZ
36112**

10 Hexagonal Keys - SAE

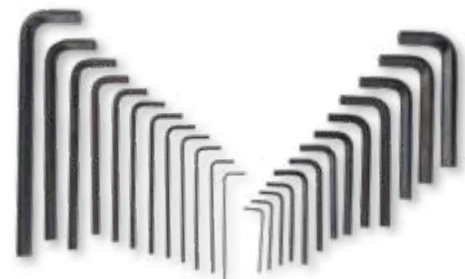


HEX (INCH)	L1 (INCH)	L2 (INCH)
1/16	35/64	1-49/64
5/64	19/32	1-57/64
3/32	5/8	2-1/64
1/8	45/64	2-13/64
5/32	53/64	2-33/64
3/16	15/16	2-3/4
7/32	1-1/32	2-61/64
1/4	1-1/16	3-3/16
5/16	1-17/64	3-47/64
3/8	1-11/32	4-1/4



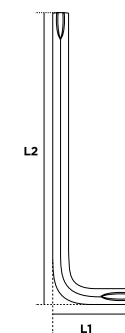
**ALN/HX-HX/25/GRZ
36130**

25 Hexagonal Keys - Metric & SAE



HEX (MM)	L1 (MM)	L2 (MM)
METRIC		
1.5	14	45
2	15	48
2.5	16	51
3	18	56
4	21	64
4.5	23	67
5	24	70
5.5	26	75
6	27	81
7	30	88
8	32	95
9	34	102
10	34	108

HEX (INCH)	L1 (INCH)	L2 (INCH)
SAE		
1/16	35/64	2-7/16
5/64	5/8	3
3/32	45/64	3-11/32
7/64	3/4	3-15/32
1/8	25/32	3-35/64
9/64	55/64	3-47/64
5/32	63/64	3-15/16
3/16	1-7/64	4-1/2
7/32	1-3/16	5
1/4	1-17/64	5-5/16
5/16	1-27/64	6
3/8	1-37/64	6-2/3



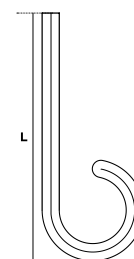
**ALN/HX-HX/7/GRZ
36120**

7 Hexagonal Keys - Metric

Chamfered end for convenience in usage



HEX (MM)	LENGTH (MM)
2.5 mm	55
3 mm	60
4 mm	65
5 mm	70
6 mm	80
8 mm	85
10 mm	90

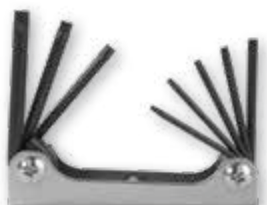


**ALN/TX-TX/8/GRZ
36121**

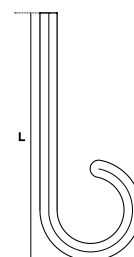
8 Tamper Torx Star Keys

Chamfered end for convenience in usage

Compatible with standard TORX fixing systems



TAMPER TORX	LENGTH (MM)
T9	58
T10	62
T15	70
T20	72
T25	79
T27	88
T30	91
T40	95



Premium quality screwdrivers for the professional user

Superior S2 steel hexagonal shaft for higher torque & wear resistance

Shaft extends into the handle, ensuring full transfer of force.

Multi-component injection moulded hexagonal grip is non-slip & does not roll away

Magnetised tip is accurately hardened ensuring long lasting durability

Tip has black oxide finish for enhanced corrosion resistance



S2 STEEL	HARDENED	HEX SHANK
S2	58-62 HRC	

ORDERING INFORMATION

CAT NR.	ORD NR.	TYPE	SIZE	L1	L2	H
				(MM)	(MM)	(MM)
SCDR/H/FL3/75	33735		0.5x3.0	75	75	4
SCDR/H/FL4/100	33736		0.8x4.0	100	98	4
SCDR/H/FL6.5/38	33734		1.2x6.5	38	55	6
SCDR/H/FL6.5/100	33737		1.2x6.5	100	108	6
SCDR/H/FL6.5/150	33738		1.2x6.5	150	108	6
SCDR/H/FL8/150	33739		1.6x8.0	150	118	8
SCDR/H/PH1/75	33731		PH1	75	98	5
SCDR/H/PH2/38	33730		PH2	38	55	6
SCDR/H/PH2/100	33732		PH2	100	108	6
SCDR/H/PH3/150	33733		PH3	150	118	8
◆SCDR/H/6/ST	33745			Set of 6: PH 1x75, PH 2x100, FL 3x75, FL 4x100, FL 6.5x150 & FL 8x150		

◆ New



Hex shaft can be tightened using a spanner for high torque applications

35

4V Insta Drive Screwdriver with Retractable Bit Cartridge

IDR-2

Patented retractable, rotating bit cartridge design makes it easy to find, store and change bits

Standard 1" (25 mm) long x 1/4" (6.35mm) S2 Steel Bits

Smooth cartridge that never jams

Large, easy to view cartridge window

Easy to identify and use forward / reverse Switch

LED work light provides visibility when working in low light or enclosed areas

Rechargeable

Long lasting magnetic charge cable enables charging using common USB chargers

4V Lithium Power: Ideal for around-the-house jobs for professionals and DIY users

Lithium Ion Battery: Retains charge up to 18 months



NEW!



SPECIFICATIONS

BATTERY	4V Lithium 1.3Ah
RPM	200
MOTOR	380 W
TORQUE	3.95-4.5 Nm (35-40 in-lbs)
SWITCH	Rocker Type
NUMBER OF BITS STORED	7
STORAGE	Rear Cartridge
CHUCK SIZE	1/4" Hex
SPINDLE LOCK	Yes
LED WORK LIGHT	Yes
WEIGHT	0.467kg (1lb)
CHARGER	Magnetic Charge Cable
INCLUDES	USB Cable, Bits
BIT COMPATIBILITY	1" (25 mm) Hex Shank Driver Bits



Led Light



Easy to view cartridge window



Charge time of only 90 minutes using USB 1A wall charger



Red light show charging on & Green light shows charging complete

ORDERING INFORMATION

CAT NR.	ORD NR.
IDR/2	33781

36

Retra Drive

Retractable Bit Cartridge - Makes it easy to find, store and change Bits

Specially designed Palm Saver Cap prevents blisters in the palm of your hand. Cap does not turn as you push on the cap and turn the handle.

Easy Guide Collar provides greater control by maintaining full contact between the Bit and the Screw

Specially Engineered ABS resin handle

Industrial grade S2 modified steel bits with Rockwell Hardness 58 - 62

Length: 2" (50 mm)



ORDERING INFORMATION

CAT NR.	13 IN 1		14 IN 1		15 IN 1		
	STANDARD US	STANDARD EU	HVAC	AUTOMOTIVE	STANDARD US	STANDARD EU	TAMPERPROOF
ORD NR.	RD/SD/6R	RD/SD/7R	RD/HV/3	RD/AU/5	RD/SD/1	RD/SD/2	RD/TP/4
PHILLIPS 0-3	Y	Y	Y		Y	Y	
PHILLIPS 1-2	Y	Y	Y	Y	Y	Y	
DOUBLE ENDED PHILLIPS 2-2			Y				
HEX 1/8"-5/32"	Y				Y		
HEX 4-5						Y	
POZI 1X 2		Y				Y	
FLAT / SLOTTED 3-5			Y				
FLAT / SLOTTED 4-6	Y	Y	Y		Y	Y	
FLAT SLOT 5.5 X VALVE STEM			Y	Y			
TORX 9-40				Y			
TORX 10-15	Y	Y		Y	Y	Y	
TORX 20-25	Y	Y		Y	Y	Y	
TORX 27-30				Y	Y		
SQUARE AWL			Y				
1/4" SOCKET ADAPTER				Y			
HEX PIN 1/8"- 9/64							Y
HEX PIN 5/32" - 3/16"							Y
SPANNER 6-8							Y
SPANNER 10-12							Y
TORX PIN 10-15							Y
TORX PIN 20-25							Y
TORX PIN 27-30							Y

13 in 1

28-Tooth Solid core ratchet

Features ZAD 8 Zinc Alloy SOLID-CORE Ratchet that delivers over 25 Nm of Torque Strength

Precision 28 Tooth Ratchet

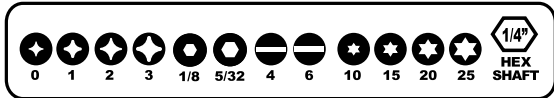
Design makes driving fasteners faster and easier



STANDARD US



RD/SD/6R
33711



STANDARD EU



RD/SD/7R
33713



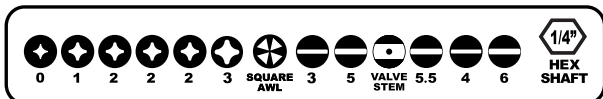
14 in 1

HVAC

14 bit tips featuring valve stem bit, Square Awl Reamer Bit and Double LOK Phillips #2 combo bit (which can be used in any 1/4" quick change chuck)



RD/HV/3
33714



AUTOMOTIVE

Loaded with the most popular bits used in automotive work, including a 1/4" socket adaptor, this driver is a must for the professional mechanic or anyone who works on their car or truck.



RD/AU/5
33716



Retra Drive (continued)

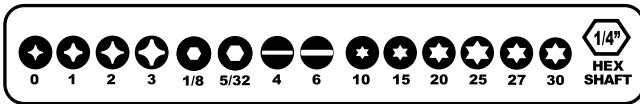
15 in 1

STANDARD US

All purpose bit load driver loaded with 7 double end professional quality bits



RD/SD/1
33710

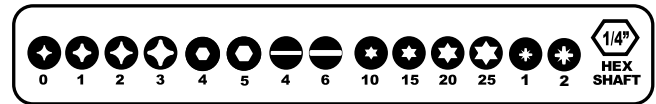


STANDARD EU

All purpose bit load driver loaded with 7 double end professional quality bits



RD/SD/2
33712



TAMPERPROOF

Must for all commercial / industrial tradesmen i.e. electricians, locksmiths, telephone technicians, maintenance personnel, etc.



RD/TP/4
33715



37

**Retra
Lite**

RTL-1

7 in 1 Retractable Cartridge
Screwdriver

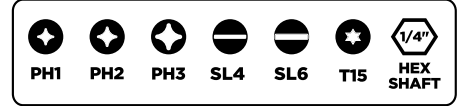
NEW!

Retractable Bit Cartridge -
Makes it easy to find, store
and change Bits

2" (50 mm) long S2 modified
steel bits with Rockwell
Hardness 58-62

Specially designed palm saver
cap prevents blisters in the
palm of your hand. Cap does
not turn as you push on the
cap and turn the handle

Easy guide collar provides
greater control by
maintaining full contact
between the bit and the
screw



Patented Pull
Out Retracting
Cartridge Design



ORDERING INFORMATION

CAT NR.	ORD NR.
RTL/1	33750

SCREWDRIVERS

Product Brief

Premium quality screwdrivers for the professional user

Chrome Vanadium Construction

for higher torque & wear resistance

Shaft extends into the handle, ensuring full transfer of force.

Torque Maximiser Grip

Multi-component injection moulded non-slip hexagonal grip helps in transmitting higher torque

Magnetised Tip

Tip is accurately hardened ensuring long lasting durability. Tip has black oxide finish for enhanced corrosion resistance



CAT NR.	ORD NR.	TYPE	SIZE		SHAFT LENGTH	
			(MM)	(INCH)	(MM)	(INCH)
SCDR/R/FL3/75	36241		3	1/8	75	3
SCDR/R/FL3/100	36240		3	1/8	100	4
SCDR/R/FL4/100	36242		4	5/32	100	4
SCDR/R /FL5.5/100	36243		5.5	7/32	100	4
SCDR/R /FL5.5/150	36244		5.5	7/32	150	6
SCDR/R/FL6.5/38	36248		6.5	1/4	38	1-1/2
SCDR/R /FL6.5/100	36245		6.5	1/4	100	4

SCDR/R /FL6.5/150	36246		6.5		1/4	150	6
SCDR/R /FL6.5/200	36247		6.5		1/4	200	8
SCDR/R/FL8/150	36249		8		5/16	150	6
SCDR/R/FL8/200	36250		8		5/16	200	8
SCDR/R/PH0/75	36270			PH0		75	3
SCDR/R/PH1/75	36272			PH1		75	3
SCDR/R/PH1/100	36271			PH1		100	4
SCDR/R/PH2/38	36276			PH2		38	1 - 1/2
SCDR/R/PH2/100	36273			PH2		100	4
SCDR/R/PH2/150	36274			PH2		150	6
SCDR/R/PH2/200	36275			PH2		200	8
SCDR/R/PH3/150	36277			PH3		150	6
SCDR/R/PZ1/75	36300			PZ1		75	3
SCDR/R/PZ2/100	36301			PZ2		100	4
SCDR/R/PZ3/150	36302			PZ3		150	6
SCDR/R/T10/100	36310			T10		100	4
SCDR/R/T15/100	36311			T15		100	4
SCDR/R/T20/100	36312			T20		100	4
SCDR/R/T25/100	36313			T25		100	4
SCDR/R/T30/100	36314			T30		100	4
SET							
SCDR/R/6/ST	33746	Flat: 3x75 mm,5.5 x 100 mm, 6.5 x 150 mm; Phillips: PH0 x 75 mm, PH1 x 100 mm, PH2 x 150 mm;					

7 PC VDE SCREWDRIVER SET

Product Brief

Ideal choice for electricians for use in terminal blocks, control cabinets, switches, relays, sockets etc.

Chrome Vanadium Construction

individually forged from chrome- vanadium steel, blades are fully hardened & tempered for increased durability & strength

Certified to IEC 60900

Magnetized Tip

Accurately hardened tip ensures long lasting durability

1000V Safe

Each tool is tested for dielectric strength under a 10000 Volt load to guarantee safe working upto 1000 Volts

Bi-material ergonomic handle is impact and abrasion resistant

Sold as a set of 6 screwdrivers and a voltage tester.

Voltage tester also available as spare

SET INCLUDES				
TYPE	SIZE		SHAFT LENGTH	
	(MM)	(INCH)	(MM)	(INCH)
SLOTTED				
	6.5	1/4	150	6
	5.5	7/32	125	5
	4	5/32	100	4
	3	1/8	100	4
	3	1/8	100	4
PHILLIPS				
	PH1		80	3-1/8
	PH2		100	4
VOLTAGE TESTER				
	110V - 230V Single Pole Voltage Tester			



CAT NR.	ORD NR.	DESCRIPTION
SCDR/VDE/7/ST	33747	Set of Screwdrivers
VT/110-250	33790	Voltage Tester

SINGLE POLE VOLTAGE TESTER

Product Brief

VDE certified voltage tester can measure from 110 - 250V

Ideal choice for electricians for use in terminal blocks, control cabinets, switches, relays, sockets etc.

Chrome Vanadium Construction

Individually forged from CrV Steel, blades are fully hardened & tempered for increased durability & strength, certified to IEC 60900

Integrated pocket clip for easy and safe portability

Transparent white body for clear indication of light.



CAT NR.

ORD NR.

VT/110-250

33790

RETRA DRIVE

Product Brief

Retra Drive Screwdrivers

- Designed with a retractable bit cartridge: easy to find, store and change bits
- Special Palm Saver Cap prevents blisters in the palm of the user.
- Easy Guide Collar provides larger control by maintaining full contact between the Bit and the Screw.
- Specially Engineered ABS resin handle
- Industrial Grade S2 Modified steel bits with RockwellHardness 58

13 in 1

Features ZAD 8 Zinc Alloy SOLID-CORE Ratchet that delivers over 25 Nm of torque strength Precision 28 tooth ratchet

Designed for quick and convenient fastening.

14 in 1

HVAC

14 bit tips featuring valve stem bit, Square Awl, Reamer Bit and Double LOK, Phillips #2 combo bit (which can be used in any 1/4" quick change chuck)

AUTOMOTIVE

Loaded with the most popular bits used in automotive work, including a 1/4" socket adaptor, this driver is a must for the professional mechanic or anyone who works on their car or truck.

15 in 1

STANDARD US

All-purpose bit load driver loaded with 7 double end professional quality bits

STANDARD ES

All-purpose bit load driver loaded with 7 double end professional quality bits

TAMPERPROOF

Must for all commercial / industrial tradesmen i.e. electricians, locksmiths, telephone technicians, maintenance personnel, etc.



CAT NR.	RD/SD/6R	RD/SD/7R	RD/HV/3	RD/AU/5	RD/SD/1	RD/SD/2	RD/TP/4
ORD NR.	33711	33713	33714	33716	33710	33712	33715
PHILLIPS0-3	Y	Y	Y		Y	Y	
PHILLIPS1-2	Y	Y	Y	Y	Y	Y	
DOUBLE ENDED PHILLIPS 2-2			Y				
HEX 1/8"-5/32"	Y				Y		
HEX 4-5						Y	
POZI1X2		Y				Y	
FLAT / SLOTTED 3-5			Y				
FLAT/SLOTTED4-6	Y	Y	Y		Y	Y	
FLAT SLOT 5.5 X VALVE STEM			Y	Y			
TORX 9-40				Y			
TORX10-15	Y	Y		Y	Y	Y	
TORX20-25	Y	Y		Y	Y	Y	
TORX 27-30				Y	Y		
SQUARE AWL			Y				
1/4" SOCKET ADAPTER				Y			
HEX PIN 1/8"- 9/64							Y
HEX PIN 5/32" - 3/16"							Y
SPANNER 6-8							Y
SPANNER 10-12							Y
TORX PIN 10-15							Y
TORX PIN 20-25							Y

По вопросам продаж и поддержки обращайтесь:

Алматы (7273)495-231	Казань (843)206-01-48	Новокузнецк (3843)20-46-81	Смоленск (4812)29-41-54
Архангельск (8182)63-90-72	Калининград (4012)72-03-81	Новосибирск (383)227-86-73	Сочи (862)225-72-31
Астрахань (8512)99-46-04	Калуга (4842)92-23-67	Омск (3812)21-46-40	Ставрополь (8652)20-65-13
Барнаул (3852)73-04-60	Кемерово (3842)65-04-62	Орел (4862)44-53-42	Сургут (3462)77-98-35
Белгород (4722)40-23-64	Киров (8332)68-02-04	Оренбург (3532)37-68-04	Тверь (4822)63-31-35
Брянск (4832)59-03-52	Краснодар (861)203-40-90	Пенза (8412)22-31-16	Томск (3822)98-41-53
Владивосток (423)249-28-31	Красноярск (391)204-63-61	Пермь (342)205-81-47	Тула (4872)74-02-29
Волгоград (844)278-03-48	Курск (4712)77-13-04	Ростов-на-Дону (863)308-18-15	Тюмень (3452)66-21-18
Вологда (8172)26-41-59	Липецк (4742)52-20-81	Рязань (4912)46-61-64	Ульяновск (8422)24-23-59
Воронеж (473)204-51-73	Магнитогорск (3519)55-03-13	Самара (846)206-03-16	Уфа (347)229-48-12
Екатеринбург (343)384-55-89	Москва (495)268-04-70	Санкт-Петербург (812)309-46-40	Хабаровск (4212)92-98-04
Иваново (4932)77-34-06	Мурманск (8152)59-64-93	Саратов (845)249-38-78	Челябинск (351)202-03-61
Ижевск (3412)26-03-58	Набережные Челны (8552)20-53-41	Севастополь (8692)22-31-93	Череповец (8202)49-02-64
Иркутск (395)279-98-46	Нижний Новгород (831)429-08-12	Симферополь (3652)67-13-56	Ярославль (4852)69-52-93
Россия (495)268-04-70	Киргизия (996)312-96-26-47	Казахстан (7172)727-132	