

# Технические характеристики

## По вопросам продаж и поддержки обращайтесь:

Алматы (7273)495-231	Казань (843)206-01-48	Новокузнецк (3843)20-46-81	Смоленск (4812)29-41-54
Архангельск (8182)63-90-72	Калининград (4012)72-03-81	Новосибирск (383)227-86-73	Сочи (862)225-72-31
Астрахань (8512)99-46-04	Калуга (4842)92-23-67	Омск (3812)21-46-40	Ставрополь (8652)20-65-13
Барнаул (3852)73-04-60	Кемерово (3842)65-04-62	Орел (4862)44-53-42	Сургут (3462)77-98-35
Белгород (4722)40-23-64	Киров (8332)68-02-04	Оренбург (3532)37-68-04	Тверь (4822)63-31-35
Брянск (4832)59-03-52	Краснодар (861)203-40-90	Пенза (8412)22-31-16	Томск (3822)98-41-53
Владивосток (423)249-28-31	Красноярск (391)204-63-61	Пермь (342)205-81-47	Тула (4872)74-02-29
Волгоград (844)278-03-48	Курск (4712)77-13-04	Ростов-на-Дону (863)308-18-15	Тюмень (3452)66-21-18
Вологда (8172)26-41-59	Липецк (4742)52-20-81	Рязань (4912)46-61-64	Ульяновск (8422)24-23-59
Воронеж (473)204-51-73	Магнитогорск (3519)55-03-13	Самара (846)206-03-16	Уфа (347)229-48-12
Екатеринбург (343)384-55-89	Москва (495)268-04-70	Санкт-Петербург (812)309-46-40	Хабаровск (4212)92-98-04
Иваново (4932)77-34-06	Мурманск (8152)59-64-93	Саратов (845)249-38-78	Челябинск (351)202-03-61
Ижевск (3412)26-03-58	Набережные Челны (8552)20-53-41	Севастополь (8692)22-31-93	Череповец (8202)49-02-64
Иркутск (395)279-98-46	Нижний Новгород (831)429-08-12	Симферополь (3652)67-13-56	Ярославль (4852)69-52-93
Россия (495)268-04-70	Киргизия (996)312-96-26-47	Казахстан (7172)727-132	

# HAND SOCKETS



Super Grip Profile

Ultra Premium Finish

Knurled Band



CONFORMS TO	CONFORMS TO
<b>DIN 3120</b>	<b>ISO 3315</b>

All GROZ sockets meet or exceed DIN 3120 Standard by 30%

<b>CHROME VANADIUM</b>	
<b>HARDNESS</b>	<b>SUPER GRIP</b>
 38-55 HRC	

## Chrome Vanadium Construction

Cold forged from high quality chrome vanadium steel, precisely hardened for increased durability

## Ultra Premium Finish\*

High quality attractive ultra premium finish provides a scratch proof surface with enhanced protection against corrosion.

## Super Grip Profile\*

GROZ Sockets incorporate the super grip profile that features round points facilitating contact between socket wall & fastener wall, keeping pressure off the corners

This ensures:

1. Transmission of higher torque
2. Firm grip & enhanced engagement
3. Increased durability: Stress concentration in corners eliminated

## Knurled Band\*

Provides a non-slip grip even in slippery applications found usually in workshops

## Marking & Branding

Branding & size stamped on each individual socket ensures quick and convenient identification

The range includes:

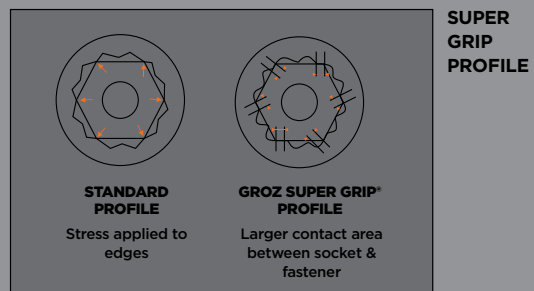
### A. Hex Sockets with 6 Point Contact

Specially engineered to fit onto & securely grip fasteners. Prevents damage to fastener by gripping sides only & not the corners of the fasteners

### B. Bi-Hex Sockets with 12 Point Contact

12 Point / Bi-Hex Sockets have more points of contact so there are more angles at which the socket will fit onto a fastener.

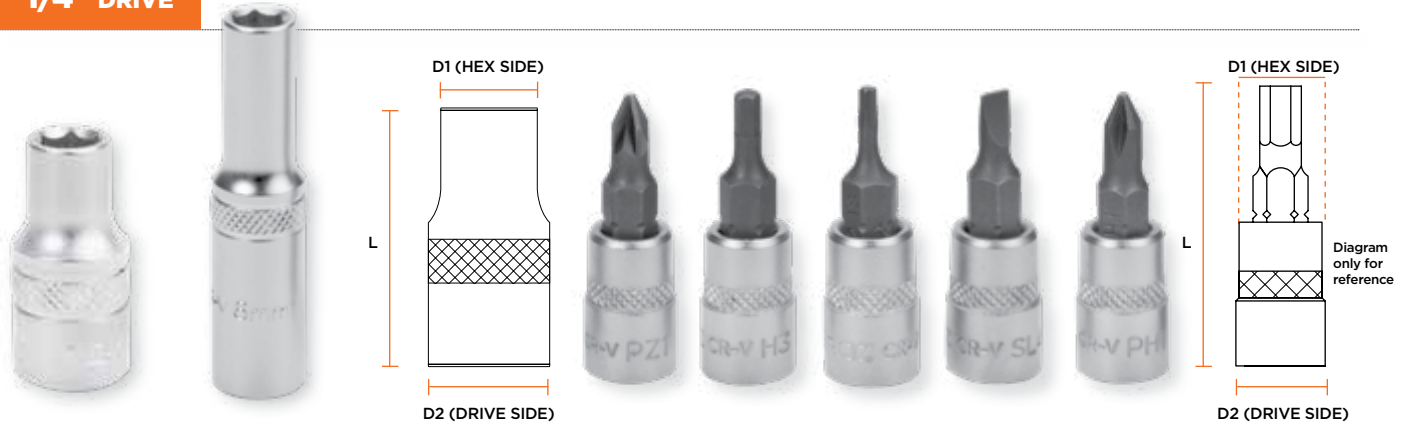
These are designed for use in professional automotive workshops, on agricultural / construction machinery & for several other industrial applications.




**SUPER GRIP PROFILE**

\*only on 1/4", 3/8" & 1/2" sockets

## 1/4" DRIVE



### ORDERING INFORMATION

CAT NR.	ORD NR.	SIZE	L (MM)	D1 (MM)	D2 (MM)
		(MM)			
<b>HEX SOCKETS</b> 					
SKT/H/1-4/4/UG	40600	4	25	6.80	4
SKT/H/1-4/4.5/UG	40601	4.5	25	7.10	4.5
SKT/H/1-4/5/UG	40602	5	25	8.00	5
SKT/H/1-4/5.5/UG	40603	5.5	25	8.30	5.5
SKT/H/1-4/6/UG	40604	6	25	9.30	6
SKT/H/1-4/7/UG	40605	7	25	10.50	7
SKT/H/1-4/8/UG	40606	8	25	11.85	8
SKT/H/1-4/9/UG	40607	9	25	12.85	9
SKT/H/1-4/10/UG	40608	10	25	13.85	10
SKT/H/1-4/11/UG	40609	11	25	15.85	11
SKT/H/1-4/12/UG	40610	12	25	16.85	12
SKT/H/1-4/13/UG	40611	13	25	17.85	13
SKT/H/1-4/14/UG	40612	14	25	19.65	14

### HEX SOCKETS - DEEP


**NEW!**

SKT/H/1-4/5D/UG	40620	5	50	8.0	11.9
SKT/H/1-4/6D/UG	40621	6	50	9.3	11.9
SKT/H/1-4/7D/UG	40622	7	50	10.5	11.9
SKT/H/1-4/8D/UG	40623	8	50	11.9	11.9
SKT/H/1-4/9D/UG	40624	9	50	13.2	13.2
SKT/H/1-4/10D/UG	40625	10	50	14.6	14.6
SKT/H/1-4/11D/UG	40626	11	50	15.9	15.9
SKT/H/1-4/12D/UG	40627	12	50	17	17
SKT/H/1-4/13D/UG	40628	13	50	18	18

### POZI BIT SOCKETS

SKT/1-4/PZ1/UG	40679	PZ1	37	6.35	12
SKT/1-4/PZ2/UG	40680	PZ2	37	6.35	12
SKT/1-4/PZ3/UG	40681	PZ3	37	6.35	12

### ORDERING INFORMATION

CAT NR.	ORD NR.	SIZE	L (MM)	D1 (MM)	D2 (MM)
		(MM)			
<b>HEX BIT SOCKETS</b> 					
SKT/1-4/H3/UG	40660	3	37	3	12
SKT/1-4/H4/UG	40661	4	37	4	12
SKT/1-4/H5/UG	40662	5	37	5	12
SKT/1-4/H6/UG	40663	6	37	6	12
SKT/1-4/H7/UG	40664	7	37	7	12
SKT/1-4/H8/UG	40665	8	37	8	12
SKT/1-4/H10/UG	40682	10	37	10	12

### TORX BIT SOCKETS

SKT/1-4/T8/UG	40666	T8	37	2.25	12
SKT/1-4/T10/UG	40667	T10	37	2.70	12
SKT/1-4/T15/UG	40668	T15	37	3.25	12
SKT/1-4/T20/UG	40669	T20	37	3.80	12
SKT/1-4/T25/UG	40670	T25	37	4.40	12
SKT/1-4/T27/UG	40683	T27	37	5.0	12
SKT/1-4/T30/UG	40671	T30	37	5.50	12
SKT/1-4/T40/UG	40672	T40	37	6.60	12

### SLOTTED BIT SOCKETS

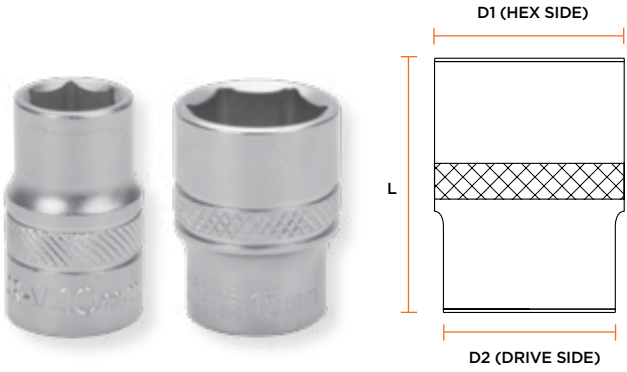
SKT/1-4/S4/UG	40673	4	37	4	12
SKT/1-4/S5.5/UG	40674	5.5	37	5.5	12
SKT/1-4/S7/UG	40675	7	37	7	12

### PHILIPS BIT SOCKETS

SKT/1-4/PH1/UG	40676	PH1	37	6.35	12
SKT/1-4/PH2/UG	40677	PH2	37	6.35	12
SKT/1-4/PH3/UG	40678	PH3	37	6.35	12



## 3/8" DRIVE



### ORDERING INFORMATION

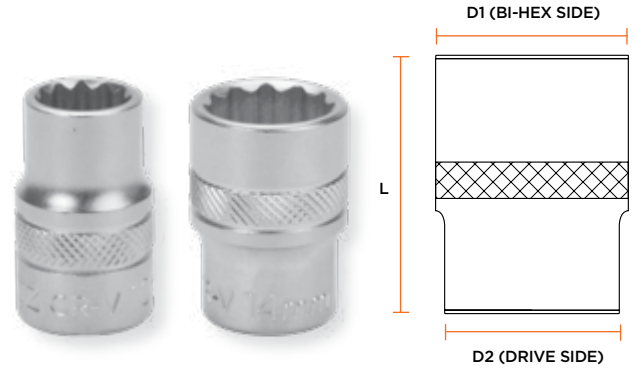
CAT NR.	ORD NR.	SIZE	L	D1	D2
		(MM)			

#### HEX SOCKETS



SKT/H/3-8/6/UG	40700	6	28	10.20	16.9
SKT/H/3-8/7/UG	40701	7	28	10.60	16.9
*SKT/H/3-8/8/UG	40702	8	28	11.80	16.9
SKT/H/3-8/9/UG	40703	9	28	13.20	16.9
*SKT/H/3-8/10/UG	40704	10	28	14.50	16.9
SKT/H/3-8/11/UG	40705	11	28	15.70	16.9
*SKT/H/3-8/12/UG	40706	12	28	16.90	16
*SKT/H/3-8/13/UG	40707	13	28	17.90	16.5
*SKT/H/3-8/14/UG	40708	14	28	19.70	17
SKT/H/3-8/15/UG	40709	15	28	20.90	18
SKT/H/3-8/16/UG	40710	16	30	21.90	19
*SKT/H/3-8/17/UG	40711	17	30	23.45	20
SKT/H/3-8/18/UG	40712	18	30	24.65	21
*SKT/H/3-8/19/UG	40713	19	30	25.85	23
SKT/H/3-8/20/UG	40714	20	32	27.15	24
SKT/H/3-8/21/UG	40715	21	32	27.85	25
SKT/H/3-8/22/UG	40716	22	32	29.65	26

\* Best Seller



### ORDERING INFORMATION

CAT NR.	ORD NR.	SIZE	L	D1	D2
		(MM)			

#### BI-HEX SOCKETS



SKT/BH/3-8/6/UG	40750	6	28	10.20	16.90
SKT/BH/3-8/7/UG	40751	7	28	10.60	16.90
*SKT/BH/3-8/8/UG	40752	8	28	11.80	16.90
SKT/BH/3-8/9/UG	40753	9	28	13.20	16.90
*SKT/BH/3-8/10/UG	40754	10	28	14.50	16.90
SKT/BH/3-8/11/UG	40755	11	28	15.70	16.90
*SKT/BH/3-8/12/UG	40756	12	28	16.90	16.00
*SKT/BH/3-8/13/UG	40757	13	28	17.90	16.50
*SKT/BH/3-8/14/UG	40758	14	28	19.70	17.00
SKT/BH/3-8/15/UG	40759	15	28	20.90	18.00
SKT/BH/3-8/16/UG	40760	16	30	21.90	19.00
*SKT/BH/3-8/17/UG	40761	17	30	23.45	20.00
SKT/BH/3-8/18/UG	40762	18	30	24.65	21.00
*SKT/BH/3-8/19/UG	40763	19	30	25.85	23.00
SKT/BH/3-8/20/UG	40764	20	32	27.15	24.00
SKT/BH/3-8/21/UG	40765	21	32	27.85	25.00
SKT/BH/3-8/22/UG	40766	22	32	29.65	26.00

\* Best Seller

# Hand Sockets (continued)

## 1/2" DRIVE



### ORDERING INFORMATION

CAT NR.	ORD NR.	SIZE	L (MM)	D1 (MM)	D2 (MM)
		(MM)			
<b>HEX SOCKETS</b>					
*SKT/H/1-2/8/UG	40800	8	38	13.20	21.80
SKT/H/1-2/9/UG	40801	9	38	13.90	21.80
*SKT/H/1-2/10/UG	40802	10	38	15.00	21.80
SKT/H/1-2/11/UG	40803	11	38	16.30	21.80
*SKT/H/1-2/12/UG	40804	12	38	17.60	21.80
*SKT/H/1-2/13/UG	40805	13	38	18.80	21.80
*SKT/H/1-2/14/UG	40806	14	38	20.40	21.80
SKT/H/1-2/15/UG	40807	15	38	21.65	20.70
SKT/H/1-2/16/UG	40808	16	38	22.90	21.50
*SKT/H/1-2/17/UG	40809	17	38	23.90	22.00
SKT/H/1-2/18/UG	40810	18	38	25.45	23.00
*SKT/H/1-2/19/UG	40811	19	38	25.85	23.00
SKT/H/1-2/20/UG	40824	20	38	27.85	24.00
*SKT/H/1-2/21/UG	40812	21	38	27.85	25.00
SKT/H/1-2/22/UG	40813	22	40	29.85	26.00
SKT/H/1-2/23/UG	40814	23	40	31.65	27.00
*SKT/H/1-2/24/UG	40815	24	42	31.85	28.00
SKT/H/1-2/25/UG	40825	25	42	33.85	30.00
SKT/H/1-2/26/UG	40816	26	42	35.45	30.00
*SKT/H/1-2/27/UG	40817	27	43	35.85	30.00
SKT/H/1-2/28/UG	40818	28	43	37.85	32.00
SKT/H/1-2/29/UG	40819	29	43	37.85	32.00
*SKT/H/1-2/30/UG	40820	30	46	39.85	34.00
*SKT/H/1-2/32/UG	40821	32	46	41.85	36.00
SKT/H/1-2/33/UG	40822	33	46	43.85	38.00
SKT/H/1-2/36/UG	40823	36	46	47.85	38.00

\* Best Seller



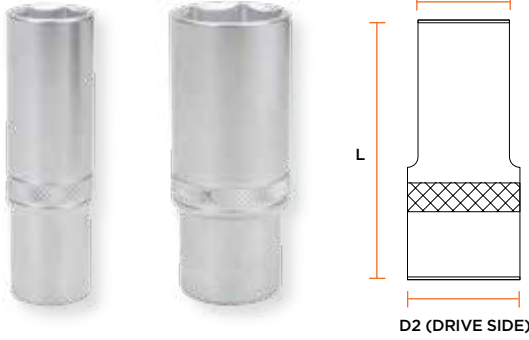
### ORDERING INFORMATION

CAT NR.	ORD NR.	SIZE	L (MM)	D1 (MM)	D2 (MM)
		(MM)			
<b>BI-HEX SOCKETS</b>					
*SKT/BH/1-2/8/UG	40826	8	38	13.20	21.80
SKT/BH/1-2/9/UG	40827	9	38	14.30	21.80
*SKT/BH/1-2/10/UG	40828	10	38	15.20	21.80
SKT/BH/1-2/11/UG	40829	11	38	16.40	21.80
*SKT/BH/1-2/12/UG	40830	12	38	18.00	21.80
*SKT/BH/1-2/13/UG	40831	13	38	19.00	21.80
*SKT/BH/1-2/14/UG	40832	14	38	20.20	21.80
SKT/BH/1-2/15/UG	40833	15	38	21.00	21.80
SKT/BH/1-2/16/UG	40834	16	38	21.00	21.50
*SKT/BH/1-2/17/UG	40835	17	38	23.90	22.00
SKT/BH/1-2/18/UG	40836	18	38	25.45	23.00
*SKT/BH/1-2/19/UG	40837	19	38	25.85	23.00
SKT/BH/1-2/20/UG	40838	20	38	27.85	24.00
*SKT/BH/1-2/21/UG	40839	21	38	27.85	24.00
SKT/BH/1-2/22/UG	40840	22	38	29.85	26.00
SKT/BH/1-2/23/UG	40841	23	38	31.65	28.00
*SKT/BH/1-2/24/UG	40842	24	38	31.85	28.00
SKT/BH/1-2/25/UG	40843	25	40	33.85	30.00
SKT/BH/1-2/26/UG	40844	26	42	35.45	31.00
*SKT/BH/1-2/27/UG	40845	27	42	35.85	30.00
SKT/BH/1-2/28/UG	40846	28	43	37.85	33.00
SKT/BH/1-2/29/UG	40847	29	43	37.85	33.00
*SKT/BH/1-2/30/UG	40848	30	44	39.85	34.00
*SKT/BH/1-2/32/UG	40849	32	44	41.85	36.00
SKT/BH/1-2/33/UG	40882	33	46	43.85	38.00
SKT/BH/1-2/36/UG	40883	36	46	47.85	42.00

\* Best Seller



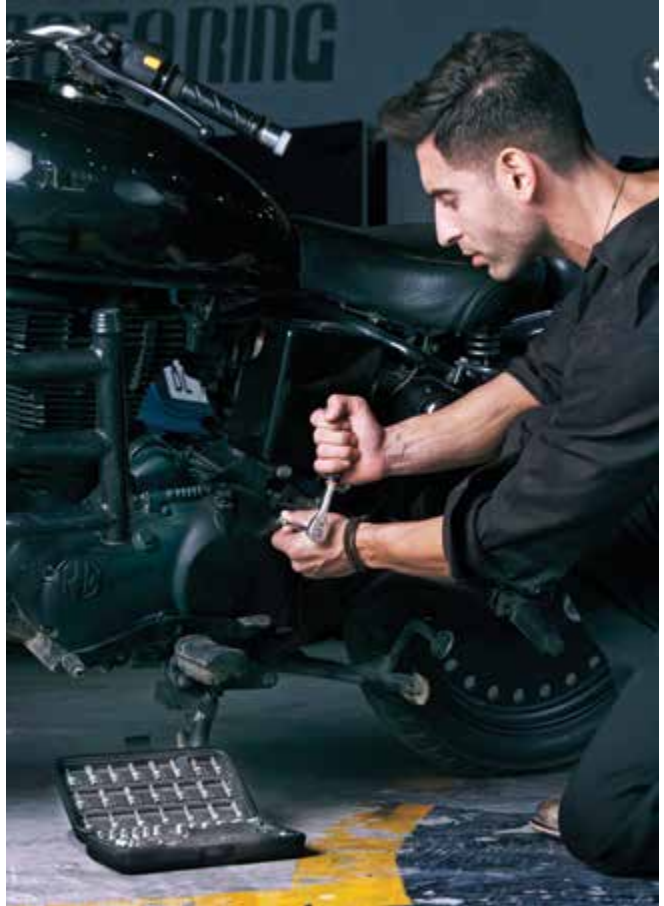
## 1/2" DEEP DRIVE



### ORDERING INFORMATION

CAT NR.	ORD NR.	SIZE (MM)	L (MM)	D1 (MM)	D2 (MM)
<b>HEX SOCKETS</b>					
					
*SKT/H/1-2/10D/UG	40900	10	77	15	21.95
SKT/H/1-2/11D/UG	40901	11	77	16.30	21.95
*SKT/H/1-2/12D/UG	40902	12	77	17.60	21.95
*SKT/H/1-2/13D/UG	40903	13	77	18.80	21.95
*SKT/H/1-2/14D/UG	40904	14	77	20.40	21.95
SKT/H/1-2/15D/UG	40905	15	77	21.60	20.70
SKT/H/1-2/16D/UG	40906	16	77	22.85	21.50
*SKT/H/1-2/17D/UG	40907	17	77	23.85	22.00
SKT/H/1-2/18D/UG	40908	18	77	25.40	23.00
*SKT/H/1-2/19D/UG	40909	19	77	25.85	23.00
SKT/H/1-2/20D/UG	40922	20	77	27.85	24.00
SKT/H/1-2/21D/UG	40910	21	77	27.85	25.00
SKT/H/1-2/22D/UG	40911	22	77	29.85	26.00
SKT/H/1-2/23D/UG	40912	23	77	31.60	27.00
SKT/H/1-2/24D/UG	40913	24	77	31.85	28.00
SKT/H/1-2/26D/UG	40914	26	77	35.40	30.00
SKT/H/1-2/27D/UG	40915	27	77	35.85	30.00
SKT/H/1-2/28D/UG	40916	28	77	37.85	32.00
SKT/H/1-2/29D/UG	40917	29	77	37.85	32.00
SKT/H/1-2/30D/UG	40918	30	77	39.85	34.00
SKT/H/1-2/32D/UG	40919	32	77	41.85	36.00

\* Best Seller

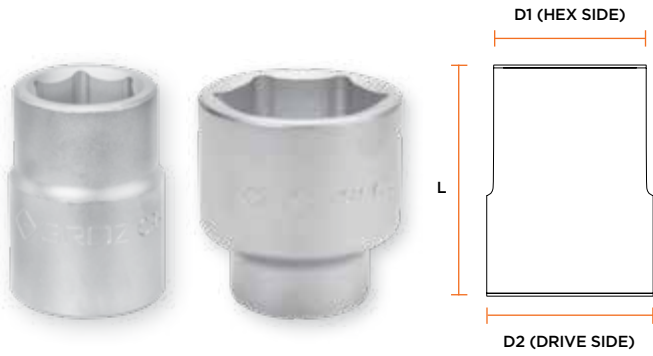


## Professional Quality **SOCKETS**

Designed &  
manufactured to the  
highest standards  
for use in industrial &  
automotive workshops

# Hand Sockets (continued)

## 3/4" DRIVE



### ORDERING INFORMATION

CAT NR.	ORD NR.	SIZE	L (MM)	D1 (MM)	D2 (MM)
		(MM)			

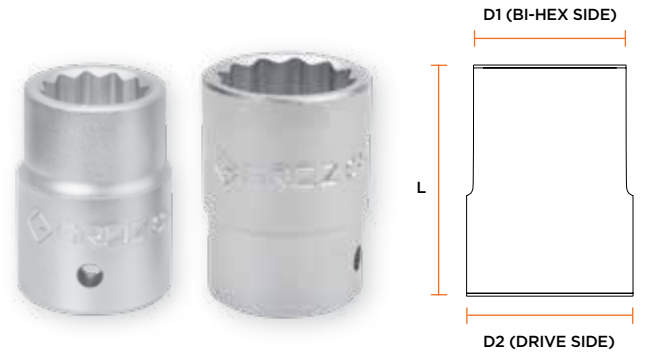
#### HEX SOCKETS

**NEW!**



SKT/H/3-4/22/MT	40455	22	50	33	36
SKT/H/3-4/24/MT	40457	24	50	35	36
*SKT/H/3-4/27/MT	40460	27	52	38	36
*SKT/H/3-4/30/MT	40463	30	54	42	38
*SKT/H/3-4/32/MT	40465	32	56	44	38
*SKT/H/3-4/36/MT	40469	36	58	50	42
SKT/H/3-4/38/MT	40470	38	62	52	45
SKT/H/3-4/41/MT	40472	41	64	56	45
SKT/H/3-4/46/MT	40475	46	68	62	48
SKT/H/3-4/50/MT	40477	50	72	68	48

\* Best Seller



### ORDERING INFORMATION

CAT NR.	ORD NR.	SIZE	L (MM)	D1 (MM)	D2 (MM)
		(MM)			

#### BI-HEX SOCKETS

**NEW!**



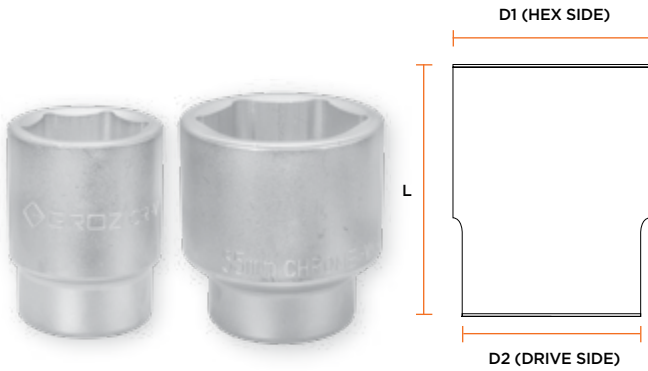
SKT/BH/3-4/22/MT	40415	22	33	36	50
SKT/BH/3-4/24/MT	40417	24	35	36	50
*SKT/BH/3-4/27/MT	40420	27	38	36	52
*SKT/BH/3-4/30/MT	40423	30	42	38	54
*SKT/BH/3-4/32/MT	40425	32	44	38	56
*SKT/BH/3-4/36/MT	40429	36	50	42	58
SKT/BH/3-4/38/MT	40430	38	52	45	62
SKT/BH/3-4/41/MT	40432	41	56	45	64
SKT/BH/3-4/46/MT	40435	46	62	48	68
SKT/BH/3-4/50/MT	40437	50	68	48	72

\* Best Seller





## 1" DRIVE



### ORDERING INFORMATION

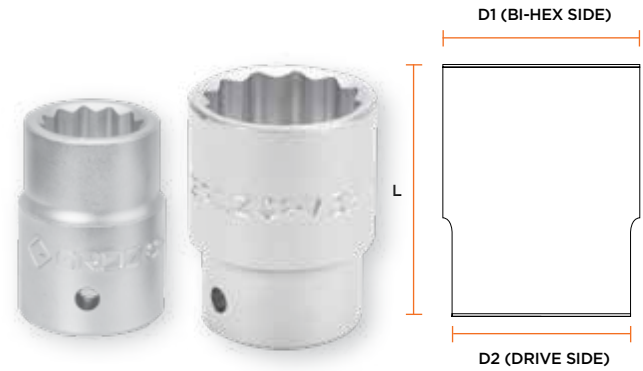
CAT NR.	ORD NR.	SIZE (MM)	L (MM)	D1 (MM)	D2 (MM)
---------	---------	-----------	--------	---------	---------

#### HEX SOCKETS **NEW!**



*SKT/H/0-1/36/MT	40551	36	65	51	45
*SKT/H/0-1/41/MT	40553	41	70	57	45
*SKT/H/0-1/46/MT	40554	46	75	65	50
*SKT/H/0-1/50/MT	40555	50	75	70	55
*SKT/H/0-1/55/MT	40557	55	80	76	57
*SKT/H/0-1/60/MT	40559	60	84	82	57
*SKT/H/0-1/65/MT	40561	65	87	88	57
*SKT/H/0-1/70/MT	40563	70	93	94	68
*SKT/H/0-1/75/MT	40565	75	97	100	68
*SKT/H/0-1/80/MT	40567	80	103	105	68

\* Best Seller



### ORDERING INFORMATION

CAT NR.	ORD NR.	SIZE (MM)	L (MM)	D1 (MM)	D2 (MM)
---------	---------	-----------	--------	---------	---------

#### BI-HEX SOCKETS **NEW!**



*SKT/BH/0-1/36/MT	40571	36	65	51	45
*SKT/BH/0-1/41/MT	40573	41	70	57	45
*SKT/BH/0-1/46/MT	40574	46	75	65	50
*SKT/BH/0-1/50/MT	40575	50	75	70	55
*SKT/BH/0-1/55/MT	40577	55	80	76	57
*SKT/BH/0-1/60/MT	40579	60	84	82	57
*SKT/BH/0-1/65/MT	40581	65	87	88	57
*SKT/BH/0-1/70/MT	40583	70	93	94	68
*SKT/BH/0-1/75/MT	40585	75	97	100	68
*SKT/BH/0-1/80/MT	40587	80	103	105	68

\* Best Seller

## Socket Merchandiser

Heavy duty steel construction in premium powder coated finish

### 1/2" DRIVE

CAT NR.	ORD NR.	CONTENTS
SKT/H/1-2/UG/ST50	40390	<b>49 Hex Sockets of following sizes:</b> 7 pcs: 10 mm 7 pcs: 13 mm 7 pcs: 17 mm 6 pcs: 19 mm 5 pcs: 22 mm 5 pcs: 24 mm 4 pcs: 27 mm 4 pcs: 30 mm 4 pcs: 32 mm

\*Can be offered with Bi-Hex Sockets also





# 02

## Socket Accessories

### SLIDING T BARS

Manufactured from high quality Chrome Vanadium steel for strength & durability

Time & effort saving tool: provides right leverage for tightening nuts & bolts easily



#### ORDERING INFORMATION

CAT NR.	ORD NR.	DRIVE	LENGTH	
		(INCH)	(INCH)	(MM)
SLTB/1-4/UG	40106	1/4	4-1/2	115
SLTB/3-8/UG	40206	3/8	6-1/2	165
SLTB/1-2/UG	40305	1/2	10	250
SLTB/3-4/MT	40405	3/4	18	450
SLTB/0-1/MT	40505	1	22	550

### EXTENSION BARS

Manufactured from high quality Chrome Vanadium steel for strength & durability

Corrosion resistant chrome plated finish

Used along with a socket to reach into confined spaces



#### ORDERING INFORMATION

CAT NR.	ORD NR.	DRIVE	LENGTH	
		(INCH)	(INCH)	(MM)
DRXB/1-4/2/UG	40102	1/4	2	50
DRXB/1-4/4/UG	40103	1/4	4	100
DRXB/1-4/6/UG	40109	1/4	6	150
DRXB/3-8/3/UG	40201	3/8	3	75
DRXB/3-8/6/UG	40202	3/8	6	150
DRXB/1-2/5/UG	40302	1/2	5	125
DRXB/1-2/10/UG	40303	1/2	10	250
DRXB/3-4/4/MT	40401	3/4	4	100
DRXB/3-4/8/MT	40402	3/4	8	200
DRXB/0-1/8/MT	40501	1	8	200
DRXB/0-1/16/MT	40502	1	16	400

### FLEX HANDLE / POWER BARS

Bars manufactured from high quality hardened & tempered Chrome Vanadium steel for strength & durability

Hinged joint head and spring-loaded ball bearing joint for secure socket retention

Chrome Molybdenum Square Drive. Replaceable on 3/4" & 1" sizes



DFH/3-8/9/MT

DFH/1-2/15/MT

DFH/3-4/20/MT

DFH/0-1/26/MT

#### ORDERING INFORMATION

CAT NR.	ORD NR.	DRIVE	LENGTH		DRIVE TYPE
		(INCH)	(INCH)	(MM)	
DFH/3-8/9/MT	40207	3/8	9	225	Fixed
DFH/1-2/15/MT	40316	1/2	15	375	Fixed
DFH/3-4/20/MT	40400	3/4	20	500	Replaceable
DFH/0-1/26/MT	40500	1	26	650	Replaceable

## UNIVERSAL JOINT

Manufactured from Chrome Vanadium for higher strength & durability

Hinged through 180° in both directions, helps the user to 'form corners' or to get socket onto inaccessible bolt heads



### ORDERING INFORMATION

CAT NR.	ORD NR.	DRIVE (INCH)
UVJ/1-4/UG	40104	1/4
UVJ/3-8/UG	40203	3/8
UVJ/1-2/UG	40308	1/2
UVJ/3-4/UG	40406	3/4

## SPEEDER HANDLE

Chrome Vanadium construction with ultra premium finish

Ideal for rapid removal or insertion of fasteners, especially in repetitive work

Provides extra leverage with greater strength than ratchets



### ORDERING INFORMATION

CAT NR.	ORD NR.	DRIVE (INCH)
SPDH/1-2/UG	40301	1/2

## ADAPTOR

For using a combination of square drive sockets in one application



### ORDERING INFORMATION

CAT NR.	ORD NR.	SIZE
SADP/1-4F/3-8M/UG	40108	1/4" (F) to 3/8" (M)
SADP/3-8F/1-4M/UG	40204	3/8" (F) to 1/4" (M)
SADP/3-8F/1-2M/UG	40205	3/8" (F) to 1/2" (M)
SADP/1-2F/3-8M/UG	40306	1/2" (F) to 3/8" (M)
SADP/1-2F/3-4M/UG	40307	1/2" (F) to 3/4" (M)
SADP/3-4F/1-2M/UG	40404	3/4" (F) to 1/2" (M)
SADP/3-4F/0-1M/UG	40403	3/4" (F) to 1" (M)
SADP/0-1F/3-4M/UG	40504	1" (F) to 3/4" (M)

## HEX SPARK PLUG SOCKET

Designed for insertion & removal of spark plugs



### ORDERING INFORMATION

CAT NR.	ORD NR.	DRIVE (INCH)	HEX SIZE (MM)
SKT/1-2/SP/16/UG	40880	1/2	16
SKT/1-2/SP/21/UG	40881	1/2	21

## Socket Accessories (continued)

### L HANDLE

Manufactured from high quality Chrome Vanadium steel for strength & durability

Hardened & tempered with corrosion resistant chrome plated finish

Spring loaded ball bearing holds sockets securely

Fixed L Handle for applications requiring rigid set-up



### ORDERING INFORMATION

CAT NR.	ORD NR.	DRIVE	LENGTH	
		(INCH)	(INCH)	(MM)
LDH/1-2/UG	40304	1/2	5	125

### SPINNER HANDLE

Manufactured from high quality Chrome Vanadium steel for strength & durability

Fit on a socket & spin it for rapid installation of longer bolts.

1/4" (F) square recess allows spinner to be used with a ratchet & also works as a long extension



### ORDERING INFORMATION

CAT NR.	ORD NR.	DRIVE
		(INCH)
DRSH/1-4/UG	40101	1/4

### FLEXIBLE EXTENSION

Manufactured from high quality Chrome Vanadium steel for strength & durability

Hardened & tempered with corrosion resistant chrome plated finish

Flexible Extension with compressed spring for use in confined spaces

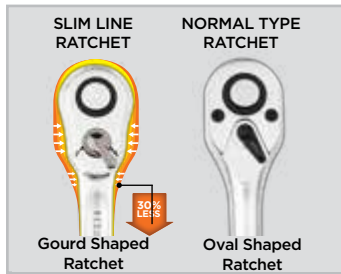


### ORDERING INFORMATION

CAT NR.	ORD NR.	DRIVE
		(INCH)
FLEX/1-4/UG	40105	1/4

**Chrome Vanadium Construction:**  
Forged from high quality chrome vanadium steel, precisely hardened for increased durability

**Unique Patented Design:**  
30% slimmer & lighter than normal pear head ratchet, provides higher torque & extended service life

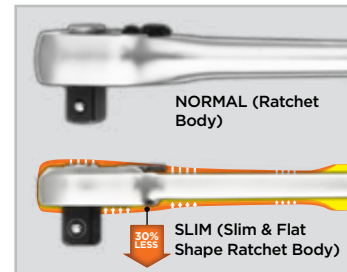


**Unique Patented Design**  
Gourd shaped head is 30% narrower than regular oval shaped ratchets making these most suitable for use in tight & hard to reach areas

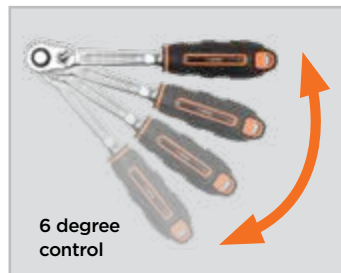


**Slim Line Ratchet**  
More than 9 Teeth Bite of Gear is designed to transfer extremely high torque and extend the service life

**Normal Type Ratchet**  
Only 3 teeth bite, unable to transfer the torque powerfully and efficiently



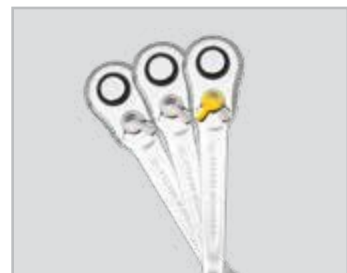
Ratchet body is 30% slimmer than regular ratchet handles. This reduces the weight of the ratchet handles & provides high torque



**60 Teeth With 6 Degree Control**  
Provides extremely high torque for professional users



**Quick Release**  
Simply push the release button with one thumb for replacing sockets quickly and efficiently.



**Reversible Lever Switch**  
Reversible lever switch makes it easy to switch direction of use

### ORDERING INFORMATION

CAT NR.	ORD NR.	DRIVE (INCH)	LENGTH		TORQUE	
			(INCH)	(MM)	(NM)	(FT-LB)
RTD/SL/1-4/UG	40107	1/4	5.70	145	80	59
RTD/SL/3-8/UG	40200	3/8	7.81	199	270	199
RTD/SL/1-2/UG	40310	1/2	10.03	255	670	494

CHROME VANADIUM



TORQUE

**1.3X  
DIN**

NUMBER OF TEETH

**60**

# 04

## Push Through Ratchet Handle

RTD-PT

Works with any standard 1/2" square drive socket

Unique push-through ratchet rotates in only one direction. To reverse, simply remove socket, push square drive out of the other side of the head & re-attach socket on the other side


Anti slip, ergonomic soft grip handle

Square Drive available as spare. No need to discard complete Ratchet Handle once the drive wears out



### ORDERING INFORMATION

CAT NR.	ORD NR.	DRIVE	LENGTH		TORQUE	
		(INCH)	(INCH)	(MM)	(NM)	(FT-LB)
RTD/PT/1-2/UG	40312	1/2	11"	280	512	377

NUMBER OF TEETH	CHROME VANADIUM
30	

# 05

## Round Head Ratchet Handle

RTD-RH

Chrome Vanadium construction for higher strength & durability

Classic round head ratchet mechanism for reliable performance

Spring loaded ball attaches onto sockets, preventing them from being dropped


Durable, corrosion resistant chrome plated finish

Knurled handle for non-slip grip



### ORDERING INFORMATION

CAT NR.	ORD NR.	DRIVE	LENGTH		NUMBER OF TEETH	TORQUE	
		(INCH)	(INCH)	(MM)		(NM)	(FT-LB)
RTD/RH/3-4/MT	40407	3/4	19.6	500	43	1412	1041

NUMBER OF TEETH	CHROME VANADIUM
43	

# 06

## Dual Drive Ratchet Handles

RTD-DD

**World-class Ratchet Handle with twice the speed of a conventional ratchet**

**Dual Ratchet Mechanism**

Ratchet handle can be used in two ways:

- a. Conventional Ratchet
- b. Twist Action Ratchet

Twist action makes it possible to tighten & remove fasteners without moving the handle, making it suitable for use in restricted space.

In 'Twist Action Mode' the drive turns in fixed direction irrespective of the way the handle is rotated

Easy to use switching mechanism for quick change of direction

**52 teeth gear design**

Provides optimum torque for professional users

**Quick Release Push Button** Immediate socket release with simple press of the button



**ORDERING INFORMATION**

CAT NR.	ORD NR.	DRIVE			TORQUE		
		(INCH)	(INCH)	(MM)	(NM)	(FT-LB)	
◆ RTD/DD/1-4/UG	40313	1/4	7-3/32	180	62	46	
◆ RTD/DD/3-8/UG	40314	3/8	8-21/32	225	202	149	
RTD/DD/1-2/UG	40311	1/2	11-13/32	290	512	377	

◆ New

NUMBER OF TEETH  
**52**  
CHROME VANADIUM

Dual Ratchet Mechanism:



# 07

## Pear Head Ratchet Handle

RTD-PH

Forged from high quality chrome vanadium steel for higher strength & durability

Classic pear head design for strength, durability & high performance

2 piece construction with detachable head for convenient storage

Spring loaded ball attaches onto sockets preventing them from being dropped



2pc construction with detachable head

**ORDERING INFORMATION**

CAT NR.	ORD NR.	DRIVE			TORQUE		
		(INCH)	(INCH)	(MM)	(NM)	(FT-LB)	
RTD/PH/0-1/MT	40503	1	26 - 3/8	670	2515	1855	

NUMBER OF TEETH  
**24**  
CHROME VANADIUM

**NEW!**

360° swivelling gear Ratchet Handle with patented intelligent design features

**Adjustable Square Drive**

30 tooth flexible spherical gear mechanism makes the square drive adjustable 15° either side

**360° Access**

Angular movement for 360° access even in tight/restricted spaces without removing or readjustment of Ratchet Handle

**Time Saving**

Square drive automatically adjusts to the required angle during usage eliminating the need to stop working, pull out & readjust every time thus saving time

**Smooth Push Through Quick Release**

Simply push the release button for replacing sockets quickly & easily

**Robust Construction:**

Fully forged from chrome molybdenum steel makes it by far the strongest in the market

**Slim Design**

For easy access into tight spots

**Reversible Lever Switch**

Low profile reversing lever design for quick, one hand operation



Automatic adjustment of square drive eliminates the need to readjust every time



360° angular movement for easy access even in restricted spaces

**ORDERING INFORMATION**

CAT NR.	ORD NR.	DRIVE	TORQUE	
		(INCH)	(NM)	(FT-LB)
RTD/360/1-4	40320	1/4	62	46
RTD/360/3-8	40321	3/8	202	149
RTD/360/1-2	40322	1/2	512	377

NUMBER OF TEETH	CHROME MOLYBDENUM
<b>30</b>	<b>CrMo</b>



# 9

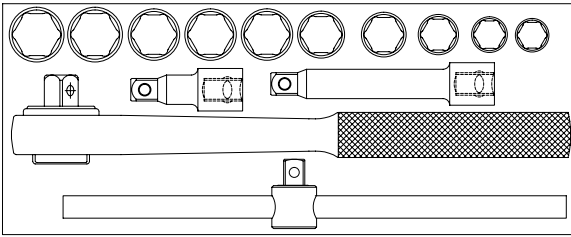
## Hand Socket Sets in Metal Cases

### 3/4" DRIVE

**Hex Socket Set**  
KIT/SKT/H/3-4/14/MT  
40490

**14**  
PIECE

**Bi-Hex Socket Set**  
KIT/SKT/BH/3-4/14/MT  
40491



#### DESCRIPTION

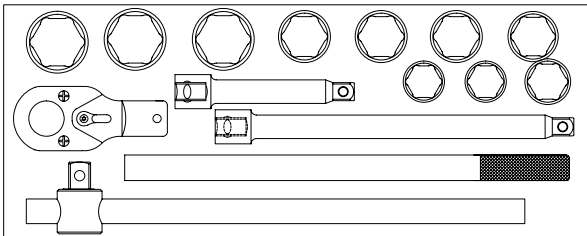
10 pcs Sockets:  
22, 24, 27, 30, 32, 36, 38, 41, 46, 50mm  
1 pc Round Head Ratchet Handle  
2 pc Extension Bar:  
100 & 200 mm (4" & 8")  
1 pc Sliding T Bar

### 1" DRIVE

**Hex Socket Set**  
KIT/SKT/H/0-1/14/MT  
40590

**14**  
PIECE

**Bi-Hex Socket Set**  
KIT/SKT/BH/0-1/14/MT  
40591



#### DESCRIPTION

10 pcs Sockets:  
36, 41, 46, 50, 55, 60, 65, 70, 75, 80 mm  
1 pc Ratchet Handle  
2 pc Extension:  
200 & 400 mm (8" & 16")  
1 pc Sliding T Bar

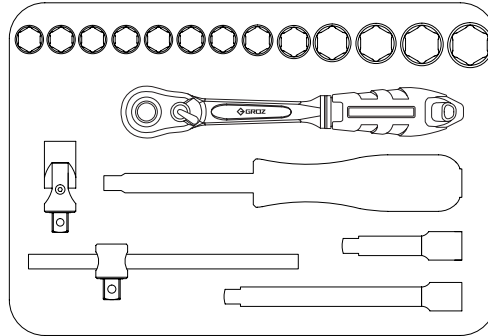


**10**

## Hand Socket Sets in Blow Moulded Cases

**1/4" DRIVE**

**Hex Socket Set**  
KIT/SKT/H/1-4/19/UG  
40193



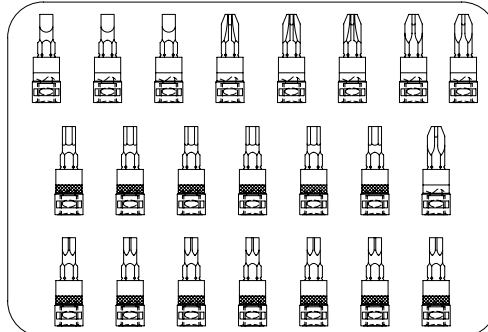
**19**  
PIECE

### ORDERING INFORMATION

#### DESCRIPTION

13 pcs Hex Sockets:  
4, 4.5, 5, 5.5, 6, 7, 8, 9, 10, 11, 12, 13, 14 mm  
1 pc Ratchet Handle  
2 pcs Extension Bars:  
50 & 100 mm (2" & 4")  
1 pc Universal Joint  
1 pc Sliding T Bar  
1 pc Spinner Handle

**Hex Socket Set**  
KIT/SKT/H/1-4/42/UG  
40190



**42**  
PIECE

### ORDERING INFORMATION

#### DESCRIPTION

13 pcs Hex Sockets:  
4, 4.5, 5, 5.5, 6, 7, 8, 9, 10, 11, 12, 13, 14 mm  
6 pcs Hex Bit Sockets:  
3, 4, 5, 6, 7, 8 mm  
3 pcs Slotted Bit Sockets:  
4, 5, 7 mm  
3 pcs Philips Bit Sockets:  
PH1, PH2, PH3  
3 pcs Pozi Bit Sockets:  
PZ1, PZ2, PZ3  
7 pcs Torx Bit Sockets:  
T8, T10, T15, T20, T25, T30, T40  
2 pcs Extension Bar:  
50 & 100 mm (2" & 4")  
1 pc Spinner Handle  
1 pc Flexible Extension  
1 pc Universal Joint  
1 pc Sliding T Bar  
1 pc Ratchet Handle

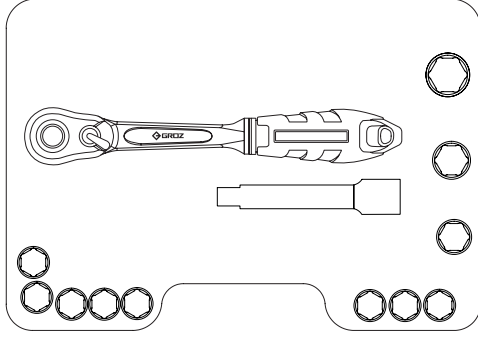


## 1/2" DRIVE

**Hex Socket Set**  
KIT/SKT/H/1-2/13/UG  
40394

**Bi-Hex Socket Set**  
KIT/SKT/BH/1-2/13/UG  
40397

**13**  
PIECE



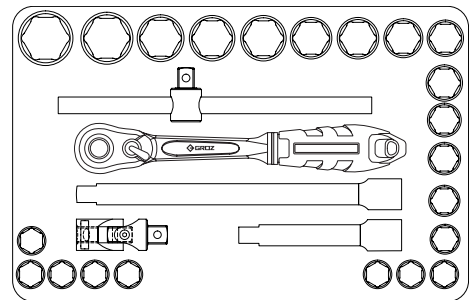
### ORDERING INFORMATION

DESCRIPTION
11 pcs Sockets: 8, 9, 10, 11, 12, 13, 14, 15, 17, 19, 22 mm
1 pc Ratchet Handle
1 pc Extension Bar: 125 mm (5")

**Hex Socket Set**  
KIT/SKT/H/1-2/27/UG  
40390

**Bi-Hex Socket Set**  
KIT/SKT/BH/1-2/27/UG  
40398

**27**  
PIECE



### ORDERING INFORMATION

DESCRIPTION
22 pcs Sockets: 8, 9, 10, 11, 12, 13, 14, 15, 16, 17, 18, 19, 21, 22, 23, 24, 26, 27, 28, 29, 30, 32 mm
2 pcs Extension Bar: 125 & 250 mm (5" & 10")
1 pc Universal Joint
1 pc Sliding T Bar
1 pc Ratchet Handle

# 11

## Hand Socket Sets On Rails

### 1/4" DRIVE

**Hex Socket Set**  
KIT/SKT/H/1-4/9LH/UG  
40192



# 9

PIECE



#### DESCRIPTION

8 pcs Hex Sockets :  
4, 4.5, 5, 5.5, 6, 7, 8, 10 mm  
1 pc Ratchet Handle

**Hex Socket Set**  
KIT/SKT/H/1-4/13L/UG  
40191



# 13

PIECE



#### DESCRIPTION

13 pcs Hex Sockets :  
4, 4.5, 5, 5.5, 6, 7, 8, 9, 10, 11, 12,  
13, 14 mm

### 3/8" DRIVE

**Hex Socket Set**  
KIT/SKT/H/3-8/8L/UG  
40290

**Bi-Hex Socket Set**  
KIT/SKT/BH/3-8/8L/UG  
40292



# 8

PIECE



#### DESCRIPTION

8 pcs Sockets:  
6, 8, 10, 12, 13, 14, 17, 19 mm

**Hex Socket Set**  
KIT/SKT/H/3-8/9LH/UG  
40291

**Bi-Hex Socket Set**  
KIT/SKT/BH/3-8/9LH/UG  
40293



# 9

PIECE



#### DESCRIPTION

8 pcs Sockets:  
6, 8, 10, 12, 13, 14, 17, 19 mm  
1 pc Ratchet Handle

### 1/2" DRIVE

**Hex Socket Set**  
KIT/SKT/H/1-2/9L/UG  
40392

**Bi-Hex Socket Set**  
KIT/SKT/BH/1-2/9L/UG  
40395



# 9

PIECE



#### DESCRIPTION

9 pcs Sockets:  
8, 9, 10, 12, 13, 14, 17, 19, 22 mm

**Hex Socket Set**  
KIT/SKT/H/1-2/11LH/UG  
40393

**Bi-Hex Socket Set**  
KIT/SKT/BH/1-2/11LH/UG  
40396



# 11

PIECE



#### DESCRIPTION

10 pcs Sockets:  
8, 9, 10, 12, 13, 14, 17, 19, 22, 24 mm  
1 pc Ratchet Handle



## 1/2" DRIVE

**Bit Socket Set**  
**KIT/BIT-SKT/SPL/1-2/6/UG**  
**40381**

**6**

PIECE



### DESCRIPTION

**Spline Bit Sockets:**  
55mm length: M6, M8, M10  
100mm length: M8, M10, M12;

**Torx Bit Socket Set**  
**KIT/BIT-SKT/TX/1-2/9/UG**  
**40382**

**9**

PIECE



### DESCRIPTION

**Torx Bit Socket:**  
T20, T25, T27, T30, T40, T45,  
T50, T55, T60

**Hex Bit Socket Set**  
**KIT/BIT-SKT/H/1-2/8/UG**  
**40380**

**8**

PIECE



### DESCRIPTION

**8 pcs Hex Bit Sockets:**  
5, 6, 7, 8, 10, 12, 14, 17 mm

# IMPACT SOCKETS



Recessed Corners

Chamfered Openings

Chrome Molybdenum

Laser Etching with output size

Pin Hole for Retaining Ring & Pin



CHROME MOLYBDENUM	TORQUE	HARDNESS
<b>CrMo</b>	<b>1.5X ANSI</b> <b>1.3X DIN</b>	 <b>38-55 HRC</b>

New range of impact sockets from GROZ are designed to withstand high levels of torque & impact applications

### Chrome Molybdenum Construction

Forged from high quality Chrome Molybdenum Steel, precision machined & heat treated to provide the best combination of hardness, tensile strength & torque

Specially designed chamfered openings make engagement with the impact tools much easier, thereby saving time and effort

Pin hole in the impact sockets facilitates use with impact tools having pin and ring retaining mechanism

### Black Oxide Finish

For enhanced corrosion protection and easy identification from regular sockets

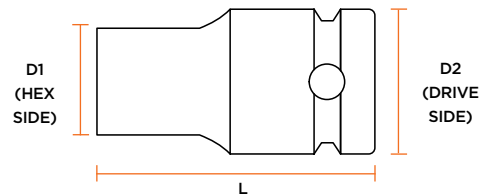
### Marking & Branding

Branding & size laser etched on each individual socket ensuring quick and convenient identification


# 12

## Impact Sockets Hex

### 1/2" DRIVE



### ORDERING INFORMATION

CAT NR.	ORD NR.	SIZE (MM)	L (MM)	D1 (MM)	D2 (MM)
<b>HEX SOCKETS</b> 					
*ISKT/H/1-2/10	39930	10	38	16.7	25
ISKT/H/1-2/11	39931	11	38	18.0	25
*ISKT/H/1-2/12	39932	12	38	19.0	25
ISKT/H/1-2/13	39933	13	38	20.2	25
ISKT/H/1-2/14	39934	14	38	21.5	25
ISKT/H/1-2/15	39935	15	38	23.0	25
ISKT/H/1-2/16	39936	16	38	24.5	25
*ISKT/H/1-2/17	39937	17	38	26.0	25
ISKT/H/1-2/18	39938	18	38	27.0	25
*ISKT/H/1-2/19	39939	19	38	28.0	25
*ISKT/H/1-2/21	39940	21	38	30.0	25
ISKT/H/1-2/22	39941	22	38	32.0	30
ISKT/H/1-2/24	39942	24	38	34.0	30
ISKT/H/1-2/27	39943	27	42	40.0	30

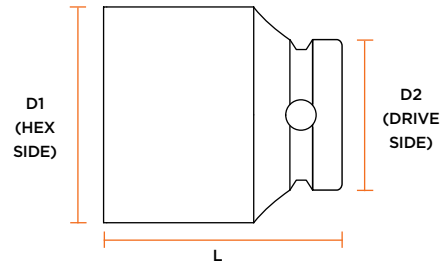
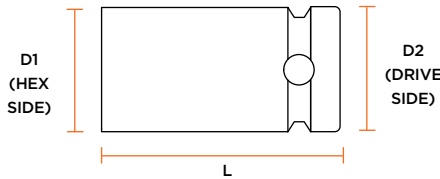
\* Best Seller



**3/4" DRIVE**

**1" DRIVE**

**NEW!**



**ORDERING INFORMATION**

CAT NR.	ORD NR.	SIZE (MM)	L (MM)	D1 (MM)	D2 (MM)
<b>HEX SOCKETS</b>					
ISKT/H/3-4/17	39950	17	51	30.0	44
ISKT/H/3-4/19	39952	19	51	32.5	44
ISKT/H/3-4/21	39953	21	51	35.0	44
ISKT/H/3-4/22	39954	22	51	36.0	44
ISKT/H/3-4/24	39955	24	51	38.5	44
ISKT/H/3-4/26	39956	26	53	41.0	44
ISKT/H/3-4/27	39957	27	53	42.5	44
ISKT/H/3-4/28	39967	28	53	44	44
*ISKT/H/3-4/29	39958	29	53	45.0	44
ISKT/H/3-4/30	39959	30	53	46.0	44
*ISKT/H/3-4/32	39960	32	57	48.0	44
*ISKT/H/3-4/33	39961	33	57	50.0	44
ISKT/H/3-4/35	39962	35	57	52.0	44
ISKT/H/3-4/36	39963	36	57	53.0	44
ISKT/H/3-4/38	39964	38	57	56.0	44
ISKT/H/3-4/41	39965	41	58	59.0	44
ISKT/H/3-4/46	39966	46	62	66.0	44

\* Best Seller

**ORDERING INFORMATION**

CAT NR.	ORD NR.	SIZE (MM)	L (MM)	D1 (MM)	D2 (MM)
<b>HEX SOCKETS</b>					
ISKT/H/0-1/19	39970	19	58	35.0	54
ISKT/H/0-1/22	39971	22	58	39.0	54
ISKT/H/0-1/24	39972	24	58	41.5	54
ISKT/H/0-1/26	39973	26	60	44.0	54
ISKT/H/0-1/27	39974	27	60	45.0	54
*ISKT/H/0-1/29	39975	29	62	45.0	54
ISKT/H/0-1/30	39976	30	62	49.0	54
*ISKT/H/0-1/32	39977	32	62	51.5	54
*ISKT/H/0-1/33	39978	33	62	52.5	54
ISKT/H/0-1/35	39979	35	66	55.0	54
ISKT/H/0-1/36	39980	36	66	56.5	54
ISKT/H/0-1/38	39981	38	66	59.0	54
ISKT/H/0-1/41	39982	41	68	62.5	54
ISKT/H/0-1/46	39983	46	72	69.0	54
ISKT/H/0-1/50	39984	50	76	74.0	54
ISKT/H/0-1/55	39985	55	84	80.0	54
ISKT/H/0-1/60	39986	60	88	86.5	54
ISKT/H/0-1/65	39987	65	92	92.5	54

\* Best Seller

# 13

## Impact Socket Sets Hex

### 1/2" DRIVE

KIT/ISKT/H/1-2/10  
39990

**NEW!**

**10**  
PIECE



#### ORDERING INFORMATION

10 PC HEX SOCKETS

10, 11, 12, 13, 14, 17, 19, 21, 22 &  
24mm

KIT/ISKT/H/1-2/12  
39991

**NEW!**

**12**  
PIECE



#### ORDERING INFORMATION

12 PC HEX SOCKETS

10, 12, 13, 14, 15, 16, 17, 18, 19, 21, 22  
& 24 mm

KIT/ISKT/H/1-2/14  
39993

**14**  
PIECE



#### ORDERING INFORMATION

14 PC HEX SOCKETS

10, 11, 12, 13, 14, 15, 16, 17, 18, 19, 21,  
22, 24 & 27 mm

### 3/4" DRIVE

KIT/ISKT/H/3-4/8  
39994

**8**  
PIECE



#### ORDERING INFORMATION

8 PC HEX SOCKETS

26, 27, 29, 30, 32, 35, 36  
& 38mm

### 1" DRIVE

KIT/ISKT/H/0-1/9  
39995

**9**  
PIECE



#### ORDERING INFORMATION

9 PC HEX SOCKETS

26, 27, 30, 32, 35, 36, 38, 41 &  
46mm

# IMPACT WRENCHES



WATCH VIDEO

GROZ introduces professional range of Impact Wrenches for powerful, speedy and durable performance thereby improving productivity

Impact Wrenches are the most important tools in automotive and industrial applications. They are used for tightening and loosening of nuts & bolts in tyre removal, suspension, transmission, air conditioning, engine repair, body shop work, assembly lines as well as general plant maintenance

## Mechanisms



### JUMBO HAMMER MECHANISM

Simplest technology which produces high torque instantly for tough applications



### TWIN HAMMER MECHANISM

Balanced & powerful mechanism comprising of two fully forged hammers that work alternatively. With lower air consumption & low reaction force the system builds up torque smoothly, to its maximum level



### IMPROVED TWIN HAMMER MECHANISM

An advanced version of conventional twin hammer, this system is designed for higher torque & durability. The strong reinforced hammer frame can take higher impact for a longer time & larger anvil provides a large contact area. Gives 25% more torque compared to the twin hammer & enhances tool life by upto 3 times



### PIN-LESS CLUTCH MECHANISM

High torque output with excellent power to weight ratio & fast run down for less frequent high torque applications



# THE GROZ CLASSIFICATION



*Robust & durable aluminium housing for demanding maintenance & production applications*



*Robust & durable aluminium housing with ergonomic TPR grip for convenience in use in demanding maintenance & production applications*



*Lightweight composite material construction with ergonomic TPR grip for ultimate convenience & fatigue free usage*

## Air Exhaust



### FRONT EXHAUST

Air is blown forward towards the working area. This is normally found in the simpler design models



### REAR EXHAUST

This is the most popular design. Air is discharged down the handle and blown away from the working area



### SIDE EXHAUST

The air is discharged from the side of the tool

## Handle Type



### PISTOL TYPE



### STRAIGHT D-HANDLE WITH INSIDE TRIGGER

# IMPACT WRENCHES



Robust & durable aluminium housing

**Jumbo Hammer Impact Mechanism for instant high torque output for tough applications**

5 speed position control to adjust tool speed for varying applications; both in forward & reverse directions

Easy to use forward/reverse switch allows operator to change direction while using the tool

Rear handle exhaust with muffler directs air away from the job & operator, ensuring safety

**Ideal for use in**

- a. General repair, transmission work, exhaust systems and body shops for 2 & 3 wheelers
- b. Assembly lines for 2 wheeler & 3 wheeler
- c. Assembly & repair of 4 wheeler dashboards
- d. Assembly lines for white goods (fans, washing machines etc.)
- e. Manufacturing of pumps & compressors



MAX TORQUE*	FREE SPEED	NET WEIGHT	AVG. AIR CONSUMPTION	ALUMINIUM BODY
<b>360 Nm</b> (266 ft-lb)	<b>10,000</b> RPM	<b>1.35 KG</b> (2.98 LB)	<b>2.5 CFM</b> (71 LPM)	<b>AI</b>



Jumbo Hammer Mechanism



5 speed position control



Rear exhaust

**ORDERING INFORMATION**

CAT NR.	ORD NR.	FREE SPEED	MAX. TORQUE*		AIR INLET SIZE	AIR HOSE I.D.	AVG. AIR CONSUMPTION		OVERALL LENGTH		NET WEIGHT	
		(RPM)	(FT-LB)	(NM)	(INCH)	(INCH)	(CFM)	(LPM)	(INCH)	(MM)	(KG)	(LB)
IPW/3-8/STD	61910	10000	266	360	1/4	3/8	2.5	71	5.5	140	1.35	2.98

\*@15 SEC

15

## 3/8" Impact Wrench PRO+ Series

Strong yet lightweight composite construction, evenly balanced design & compact profile makes the GROZ PRO+ Series Impact Wrenches ideal to get the job done!

Ergonomic TPR grip absorbs vibration & increases comfort

**Twin Hammer impact mechanism delivers balanced blows**

4 speed positive control to adjust tool speed for different applications in the forward direction

Full torque output in reverse direction

One hand forward-reverse control - finger tip slide for quick change


Rear handle exhaust with muffler directs air away from the job & operator, ensuring safety

### Ideal for use in

- Tyre service & wheel alignment
- Continuous fastening task in assembly lines for 2 wheelers & 3 wheelers
- Assembly & repair of 4 wheeler dashboards
- Assembly lines for white goods (fans, washing machines etc.)
- Manufacturing of industrial pumps & compressors

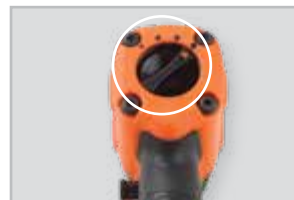
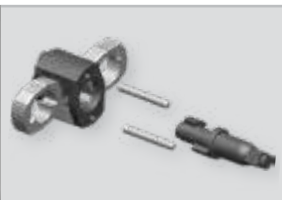


TPR Grip for convenience in use

MAX TORQUE*	FREE SPEED	NET WEIGHT	AVG. AIR CONSUMPTION	COMPOSITE BODY
<b>745 Nm</b> (550 ft-lb) <small>*@15 Sec</small>	<b>13,500</b> RPM	<b>1.23 KG</b> (2.71 LB)	<b>5.9 CFM</b> (167 LPM)	



Twin Hammer Mechanism



4 speed positive control, full Power in reverse



Rear exhaust

### ORDERING INFORMATION

CAT NR.	ORD NR.	FREE SPEED	MAX. TORQUE		AIR INLET SIZE	AIR HOSE I.D.	AVG. AIR CONSUMPTION		OVERALL LENGTH		NET WEIGHT	
		(RPM)	(FT-LB)	(NM)	(INCH)	(INCH)	(CFM)	(LPM)	(INCH)	(MM)	(KG)	(LB)
IPW/3-8/PRM	61911	13500	550	745	1/4	3/8	5.9	167	6	152	1.23	2.71

\*@15 SEC

Robust & durable aluminium housing

**Twin Hammer impact mechanism delivers balanced blows**

6 speed position control to adjust tool speed for varying applications; both in forward & reverse directions

Easy to use forward/reverse switch allows operator to change direction while using the tool.

Front handle exhaust

**Ideal for use in**

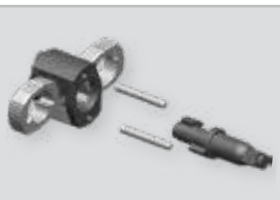
- a. General automotive repair & service center for passenger vehicles
- b. Assembly lines for 4 wheeler & LCV's
- c. MRO jobs in railways
- d. Repair & maintenance of gear units & boxes
- e. Repair & maintenance of printing press machines
- f. Assembly lines for white goods (fans, washing machines etc.)



MAX TORQUE*	FREE SPEED	NET WEIGHT	AVG. AIR CONSUMPTION	ALUMINIUM BODY
<b>1223 Nm</b> (902 ft-lb) <small>*@15 Sec.</small>	<b>8,000</b> RPM	<b>2.56 KG</b> (5.64 LB)	<b>4 CFM</b> (113 LPM)	<b>AI</b>



Twin Hammer Mechanism



Front exhaust



6 speed position control

**ORDERING INFORMATION**

CAT NR.	ORD NR.	FREE SPEED	MAX. TORQUE		AIR INLET SIZE	AIR HOSE I.D.	AVG. AIR CONSUMPTION		OVERALL LENGTH		NET WEIGHT	
		(RPM)	(FT-LB)	(NM)	(INCH)	(INCH)	(CFM)	(LPM)	(INCH)	(MM)	(KG)	(LB)
IPW/1-2/STD	61920	8000	902	1223	1/4	3/8	4	113	6.7	171	2.56	5.64

\*@15 SEC

**17**

## 1/2" Impact Wrench PRO Series

Robust & durable aluminium housing

Ergonomic TPR grip absorbs vibration & increases comfort

**Twin Hammer impact mechanism delivers balanced blows**

5 speed position control to adjust tool speed for varying applications both in forward & reverse

Easy to use forward/reverse switch allows operator to change direction while using the tool

Rear handle exhaust with muffler directs air away from the job & operator, ensuring safety

### Ideal for use in

- General automotive repair & service center for passenger vehicles
- Assembly lines for 4 wheeler & LCV's
- MRO jobs in railways
- Repair & maintenance of gear units & boxes
- Repair & maintenance of printing press machines
- Assembly lines for white goods (fans, washing machines etc.)



TPR Grip for convenience in use

MAX TORQUE*	FREE SPEED	NET WEIGHT	AVG. AIR CONSUMPTION	ALUMINIUM BODY
<b>1223 Nm</b> (902 ft-lb) <small>*@15 Sec</small>	<b>8,000</b> RPM	<b>2.7 KG</b> (5.95 LB)	<b>4 CFM</b> (113 LPM)	<b>AI</b>



Twin Hammer Mechanism



Rear Exhaust



5 speed position control

### ORDERING INFORMATION

CAT NR.	ORD NR.	FREE SPEED	MAX. TORQUE		AIR INLET SIZE	AIR HOSE I.D.	AVG. AIR CONSUMPTION		OVERALL LENGTH		NET WEIGHT	
		(RPM)	(FT-LB)	(NM)	(INCH)	(INCH)	(CFM)	(LPM)	(INCH)	(MM)	(KG)	(LB)
IPW/1-2/PRO	61921	8000	902	1223	1/4	3/8	4	113	7.2	184	2.7	5.95

\*@15 SEC

Strong yet lightweight composite material construction, evenly balanced design & compact profile make the GROZ PRO+ Series impact wrenches ideal to get THE JOB DONE

Ergonomic TPR grip absorbs vibration & increases comfort

**Twin Hammer impact mechanism delivers balanced blows**

4 speed positive control to adjust tool speed for different applications in the forward direction

Full torque output in reverse direction

One hand forward/reverse control - Finger tip slide for quick change


Rear handle exhaust with muffler directs air away from the job & operator, ensuring safety

**Ideal for use in**

- a. General automotive repair & service center for passenger vehicles
- b. Assembly lines for 4 wheeler & LCV's
- c. MRO jobs in railways
- d. Repair & maintenance of gear units & boxes
- e. Repair & maintenance of printing press machines
- f. Assembly lines for white goods (fans, washing machines etc.)

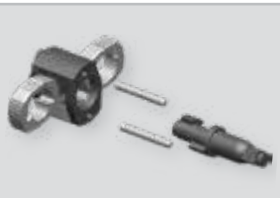


TPR Grip for convenience in use

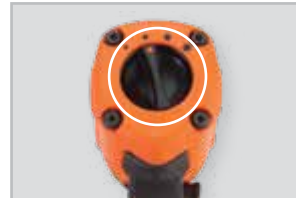
MAX TORQUE*	FREE SPEED	NET WEIGHT	AVG. AIR CONSUMPTION	COMPOSITE BODY
<b>1492 Nm</b> (1100 ft-lb) <small>*@15 SEC</small>	<b>8,500</b> RPM	<b>1.9 KG</b> (4.19 LB)	<b>6.7 CFM</b> (190 LPM)	



Twin Hammer Mechanism



Rear exhaust



4 speed positive control, full power in reverse

**ORDERING INFORMATION**

CAT NR.	ORD NR.	FREE SPEED	MAX. TORQUE		AIR INLET SIZE	AIR HOSE I.D.	AVG. AIR CONSUMPTION		OVERALL LENGTH		NET WEIGHT	
		(RPM)	(FT-LB)	(NM)	(INCH)	(INCH)	(CFM)	(LPM)	(INCH)	(MM)	(KG)	(LB)
IPW/1-2/PRM	61922	8500	1100	1492	1/4	3/8	6.7	190	7.2	184	1.9	4.19

\*@15 SEC

Robust & durable aluminium housing

Improved Twin Hammer mechanism imparts high torque and durability. The strong reinforced hammer frame can take higher impact for a longer time & larger contact area. Gives 25% more torque compared to the twin hammer & enhances tool life by upto 3 times

3 speed positive control to adjust tool speed for different applications in the forward direction

Full torque output in reverse direction

Easy to use forward/reverse knob allows operator to change direction while using the tool.

Rear handle exhaust with muffler directs air away from the job & operator, ensuring safety

**Ideal for use in**

- a. Tyre & engine assembly on trucks, buses, tractors etc.
- b. MRO jobs in oil & gas industry
- c. Assembly work for diesel & gas engines
- d. MRO jobs in paper processing plants



MAX TORQUE*	FREE SPEED	NET WEIGHT	AVG. AIR CONSUMPTION	ALUMINIUM BODY
<b>2522 Nm</b> (1860 ft-lb) <small>*@15 SEC.</small>	<b>6,700</b> RPM	<b>4.75 KG</b> (10.47 LB)	<b>7 CFM</b> (198 LPM)	<b>AI</b>



Improved Twin Hammer Mechanism



Rear Exhaust



3 speed positive control, full power in reverse

**ORDERING INFORMATION**

CAT NR.	ORD NR.	FREE SPEED	MAX. TORQUE		AIR INLET SIZE	AIR HOSE I.D.	AVG. AIR CONSUMPTION		OVERALL LENGTH		NET WEIGHT	
		(RPM)	(FT-LB)	(NM)	(INCH)	(INCH)	(CFM)	(LPM)	(INCH)	(MM)	(KG)	(LB)
IPW/3-4/STD	61930	6700	1860	2522	1/4	3/8	7	198	9.2	234	4.75	10.47

\*@15 SEC



**20**

# 1" Impact Wrench Standard

Most powerful 1" wrench for heavy duty applications

Designed for exceptional power, durability & operators convenience

Robust & durable aluminium housing

Pin-less clutch mechanism for very high torque output

D handle with inside trigger

3 speed position power control to adjust tools speed both in forward & reverse direction

Easy to use forward/reverse switch allows operator to change direction while using the tool.

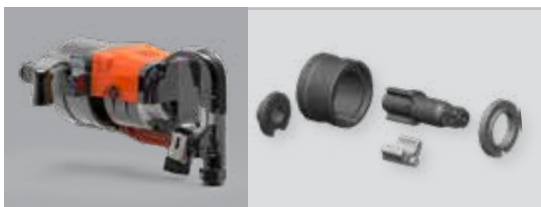
Side handle exhaust for safe usage

**Ideal for use with:**

- a. Truck garages, construction & mining equipment where huge impact power is required
- b. Erection & commissioning of heavy equipment in power plants, sugar mill, cement plants & steel mills
- c. MRO jobs in shipping Wards
- d. Routine maintenance of wind mills



MAX TORQUE*	FREE SPEED	NET WEIGHT	AVG. AIR CONSUMPTION	ALUMINIUM BODY
<b>2522 Nm</b> (1860 ft-lb) <small>@15 Sec</small>	<b>4,000</b> RPM	<b>12.06 KG</b> (26.59 LB)	<b>8.4 CFM</b> (238 LPM)	<b>AI</b>



Pin-Less Clutch mechanism



Side exhaust



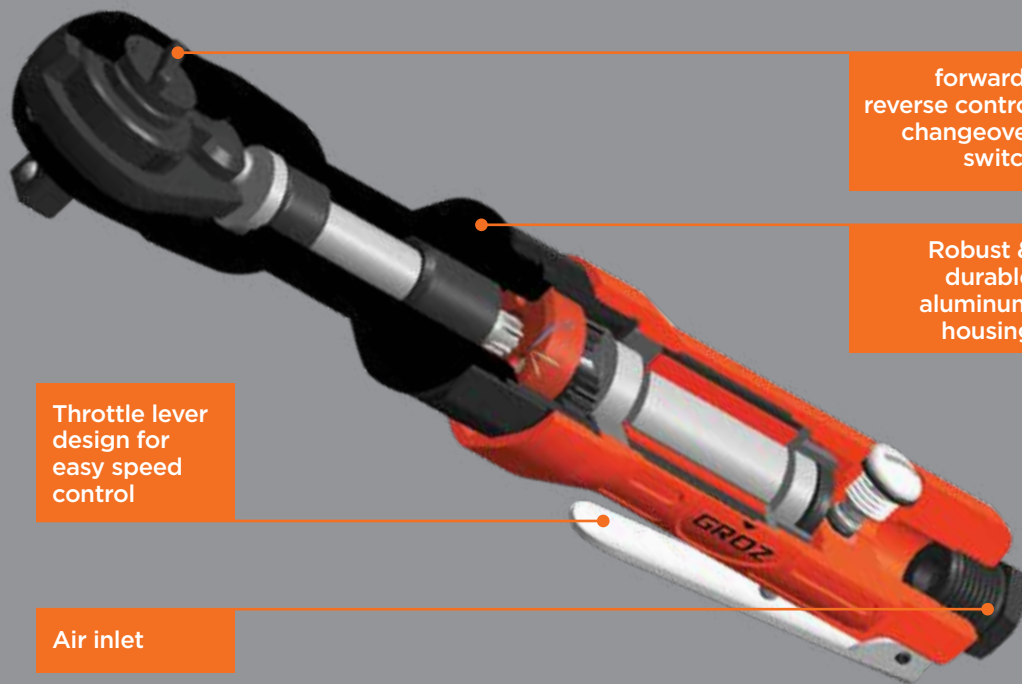
3 speed position control

**ORDERING INFORMATION**

CAT NR.	ORD NR.	FREE SPEED	MAX. TORQUE @15 SEC		AIR INLET SIZE	AIR HOSE I.D.	AVG. AIR CONSUMPTION		OVERALL LENGTH		NET WEIGHT	
		(RPM)	(FT-LB)	(NM)	(INCH)	(INCH)	(CFM)	(LPM)	(INCH)	(MM)	(KG)	(LB)
IPW/0-1/STD	61940	4000	1860	2522	1/2	3/4	8.4	238	20.3	515	12.06	26.59

\*@15 SEC

# RATCHET WRENCHES



forward/  
reverse control  
changeover  
switch

Robust &  
durable  
aluminum  
housing

Throttle lever  
design for  
easy speed  
control

Air inlet

# 21

## 3/8" Ratchet Wrench Standard

Robust & durable aluminium housing

Heat treated ratchet head design provides longer life

Chrome Molybdenum anvil guarantees high performance in the toughest applications

Optimized gear ratio and air flow for reliable performance

Easy to use forward/reverse control

Throttle lever design for easy speed control

Compact and light weight, ideal for use in confined work spaces

Excellent for body shop repair jobs and light duty work under the dashboard



MAX TORQUE	FREE SPEED	NET WEIGHT	AVG. AIR CONSUMPTION	ALUMINIUM BODY
<b>68 Nm</b> (50 ft-lb)	<b>150</b> RPM	<b>1.17 KG</b> (2.58 LB)	<b>6 CFM</b> (170 LPM)	<b>AI</b>

### ORDERING INFORMATION

CAT NR.	ORD NR.	FREE SPEED	MAX. TORQUE		AIR INLET SIZE	AIR HOSE I.D.	AVG. AIR CONSUMPTION		OVERALL LENGTH		NET WEIGHT	
		(RPM)	(FT-LB)	(NM)	(INCH)	(INCH)	(CFM)	(LPM)	(INCH)	(MM)	(KG)	(LB)
RTW/3-8/STD	61965	150	50	68	1/4	3/8	6	170	10.5	267	1.17	2.58

# 22

## 1/2" Ratchet Wrench Standard

Robust & durable aluminium housing

Heat treated ratchet head design provides longer life

Chrome Molybdenum anvil guarantees high performance in the toughest of applications

Optimized gear ratio and air flow for reliable performance

Easy to use forward/reverse control

Throttle lever design for easy speed control

Compact and light weight, ideal for use in confined work spaces

Excellent for body shop repair jobs and light duty work under the dashboard



MAX TORQUE	FREE SPEED	NET WEIGHT	AVG. AIR CONSUMPTION	ALUMINIUM BODY
<b>68 Nm</b> (50 ft-lb)	<b>150</b> RPM	<b>1.17 KG</b> (2.58 LB)	<b>6 CFM</b> (170 LPM)	<b>AI</b>

### ORDERING INFORMATION

CAT NR.	ORD NR.	FREE SPEED	MAX. TORQUE		AIR INLET SIZE	AIR HOSE I.D.	AVG. AIR CONSUMPTION		OVERALL LENGTH		NET WEIGHT	
		(RPM)	(FT-LB)	(NM)	(INCH)	(INCH)	(CFM)	(LPM)	(INCH)	(MM)	(KG)	(LB)
RTW/1-2/STD	61970	150	50	68	1/4	3/8	6	170	10.5	267	1.17	2.58

**По вопросам продаж и поддержки обращайтесь:**

Алматы (7273)495-231	Казань (843)206-01-48	Новокузнецк (3843)20-46-81	Смоленск (4812)29-41-54
Архангельск (8182)63-90-72	Калининград (4012)72-03-81	Новосибирск (383)227-86-73	Сочи (862)225-72-31
Астрахань (8512)99-46-04	Калуга (4842)92-23-67	Омск (3812)21-46-40	Ставрополь (8652)20-65-13
Барнаул (3852)73-04-60	Кемерово (3842)65-04-62	Орел (4862)44-53-42	Сургут (3462)77-98-35
Белгород (4722)40-23-64	Киров (8332)68-02-04	Оренбург (3532)37-68-04	Тверь (4822)63-31-35
Брянск (4832)59-03-52	Краснодар (861)203-40-90	Пенза (8412)22-31-16	Томск (3822)98-41-53
Владивосток (423)249-28-31	Красноярск (391)204-63-61	Пермь (342)205-81-47	Тула (4872)74-02-29
Волгоград (844)278-03-48	Курск (4712)77-13-04	Ростов-на-Дону (863)308-18-15	Тюмень (3452)66-21-18
Вологда (8172)26-41-59	Липецк (4742)52-20-81	Рязань (4912)46-61-64	Ульяновск (8422)24-23-59
Воронеж (473)204-51-73	Магнитогорск (3519)55-03-13	Самара (846)206-03-16	Уфа (347)229-48-12
Екатеринбург (343)384-55-89	Москва (495)268-04-70	Санкт-Петербург (812)309-46-40	Хабаровск (4212)92-98-04
Иваново (4932)77-34-06	Мурманск (8152)59-64-93	Саратов (845)249-38-78	Челябинск (351)202-03-61
Ижевск (3412)26-03-58	Набережные Челны (8552)20-53-41	Севастополь (8692)22-31-93	Череповец (8202)49-02-64
Иркутск (395)279-98-46	Нижний Новгород (831)429-08-12	Симферополь (3652)67-13-56	Ярославль (4852)69-52-93
Россия (495)268-04-70	Киргизия (996)312-96-26-47	Казахстан (7172)727-132	